

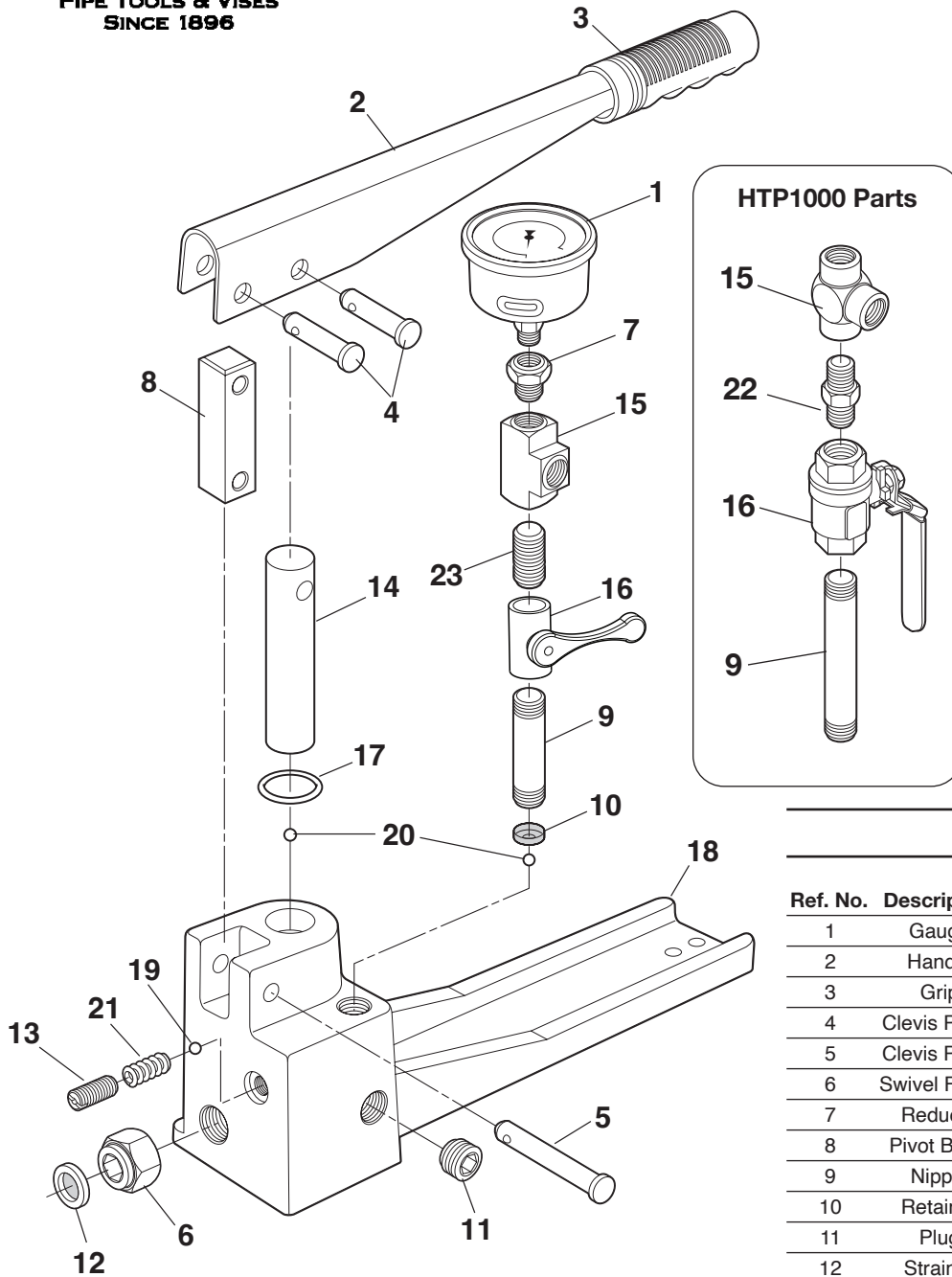


PIPE TOOLS & VISES
SINCE 1896

Hydrostatic Test Pumps HTP300, HTP1000

Replacement Parts

Applies to: 08150, 08160



Parts List

Ref. No.	Description	HTP300		HTP1000	
		Item Code	Item Code	Qty. Used	
1	Gauge	48160	48169	1	
2	Handle	98151	98151	1	
3	Grip	48152	48152	1	
4	Clevis Pin 1"	38152	38152	2	
5	Clevis Pin 2"	38151	38151	1	
6	Swivel Fitting	48155	48155	1	
7	Reducer	48164	48171	1	
8	Pivot Block	98153	98153	1	
9	Nipple	48156	48167	1	
10	Retainer	38166	38166	1	
11	Plug	48163	48163	1	
12	Strainer	48158	48158	1	
13	Relief Screw	48157	48157	1	
14	Piston	98154	98154	1	
15	Tee	48165	48168	1	
16	Valve	48170	48174	1	
17	O-Ring	48153	48153	1	
18	Body	98150	98150	1	
19	Check Ball 5/16"	30127	30127	1	
20	Check Ball 3/8"	28152	28152	2	
21	Spring	48154	48154	1	
22	1,000 PSI Nipple	—	48175	1	
23	3/8" NPT Nipple	48176	—	1	

OPTIONAL HOSES

Input Hose	10'	#08153
Output Hose	10'	#08154
Strainer Assembly		#08155