

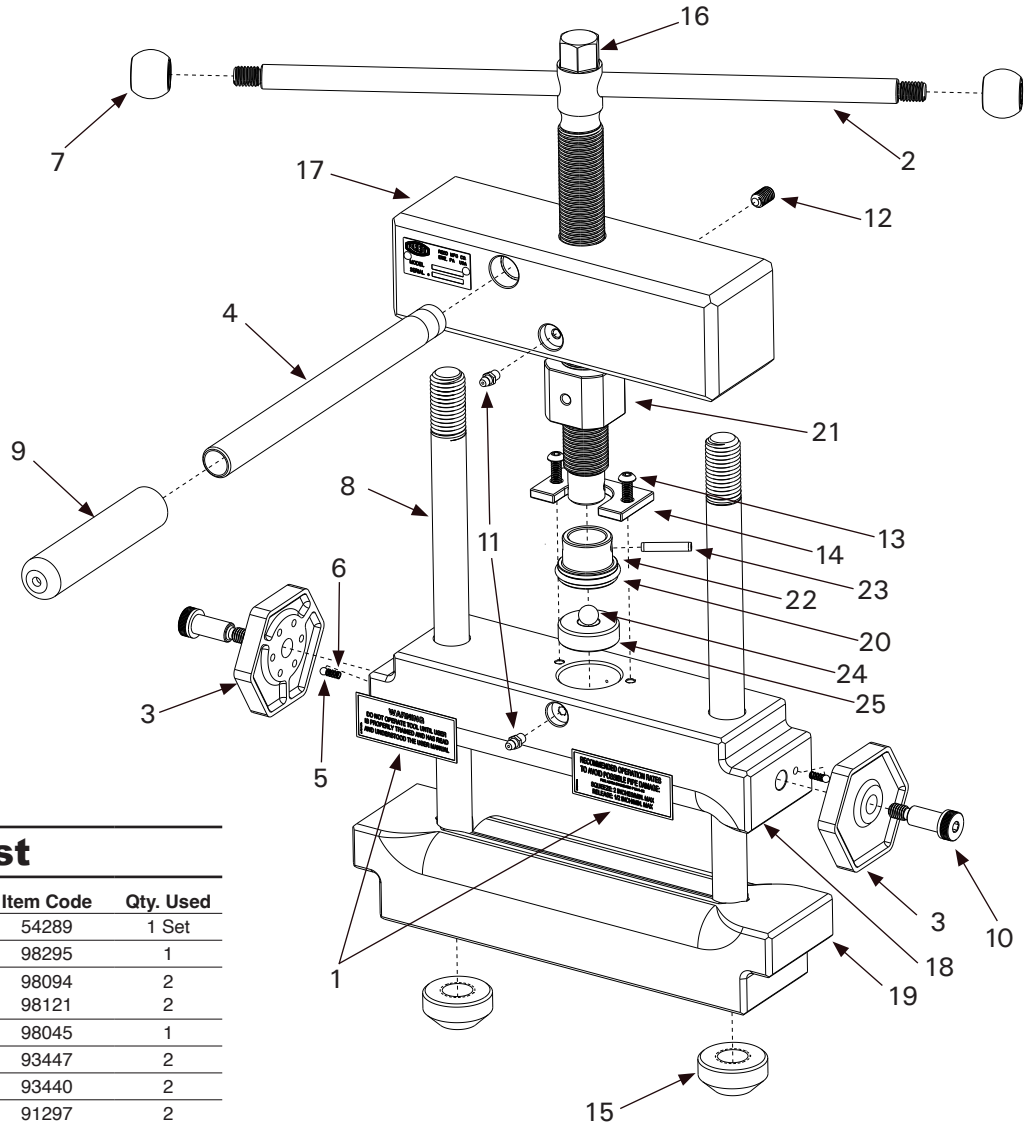


PIPE TOOLS & VISES  
SINCE 1896

Applies to: 04336, 04337

# Double Squeeze™ PE Squeeze Tool

PES4DB, PES4DBM Replacement Parts

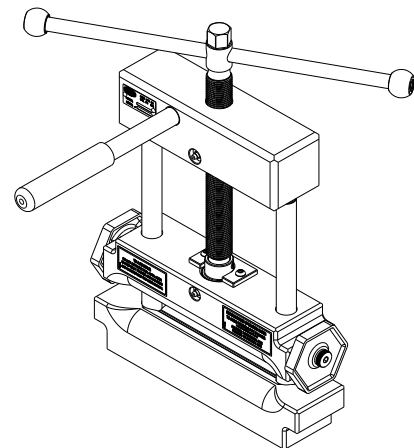


## Parts List

Ref. No.	Description	Item Code	Qty. Used
1	PES Sticker A + B	54289	1 Set
2	Screw Handle	98295	1
3	a. Standard Stops - Imperial b. Standard Stops - Metric	98094 98121	2 2
4	Leverage Handle	98045	1
5	Steel Ball	93447	2
6	Spring	93440	2
7	Knob	91297	2
8	Tie Rod	98293	2
9	Leverage Handle Grip	40070	1
10	Shoulder Screw	38314	2
11	Grease Fitting	40338	2
12	Set Screw	40002	1
13	Button Head Screw	40003	2
14	Screw Retainer	98200	1
15	Tie Rod Nut	98096	2
16	ACME Screw *	98208	1
17	Head	98290	1
18	Top Double Bar	98291	1
19	Bottom Double Bar	98292	1
	<b>Thrust Package</b>	98296	1
	(includes parts 20-25 below)		
20	O-Ring **	40301**	1
21	ACME Nut	-	1
22	Screw Adapter	-	1
23	Spring Pin	-	1
24	Ball	-	1
25	Thrust Block	-	1

\* Keep ACME screw well-greased (high-pressure)

\*\*O-Ring part #20 is available individually or as part of Thrust Package



Reed Manufacturing  
1425 West 8th Street  
Erie, PA 16502 USA



Phone: 800-666-3691 or +1 814-452-3691  
reedsales@reedmfgco.com  
www.reedmfgco.com

RP-0624-145