



PIPE TOOLS & VISES  
SINCE 1896

# Motor Stabilizer / Motor Housing Replacement Instructions

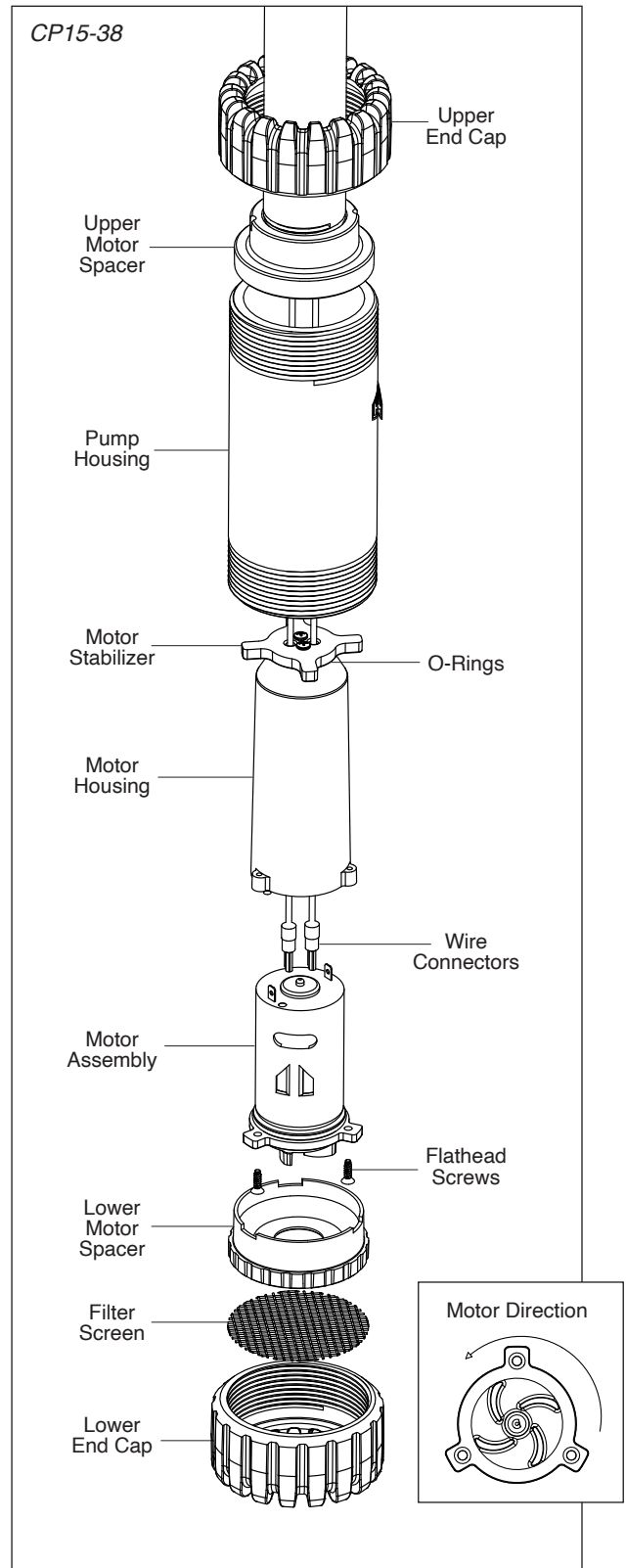
Pump Stick®

Applies to: 98199, 08140,  
08142, 08141, 08144

Purpose of these instructions is to guide you through the replacement of the Motor Housing for the REED Pump Stick®.

## REPLACEMENT INSTRUCTIONS

1. Remove the End Cap, Screen and Motor Spacer, and pull the Motor Assembly out of the Pump Housing.
2. Remove the 3 flat head screws from the front of the Motor Housing and pull out the Motor Assembly. Remove the 2 wire connectors from the back of the motor.
3. Unscrew the upper End Cap and remove Pump Housing.
4. Cut off the 2 terminals as close to the terminals as possible.
5. Remove the 2 screws on the back end of the Motor Housing and discard.
6. Pull wires out of the Motor Housing and remove O-rings and O-ring Retainer from the wire and discard O-rings and Retainer.
7. Feed the 2 wires through the 2 LARGER HOLES in the new Motor Stabilizer. (The two smaller holes are for the screws.) Place 2 O-rings on to each wire and push them up to slightly above their original location.
8. Push the wires through the holes on back end of the new Motor Housing up to the O-rings. While holding the motor housing in position Push down on the Motor Stabilizer with a back-and-forth rotation to seat the O-rings into the counter bores on the back of the Motor Housing.
9. Secure the Motor Stabilizer to the Motor Housing with the new 3/8" long screws making sure not to over tighten and strip out the holes in the motor housing.
10. Strip about 3/16"-1/4" of insulation off the end of the wires and crimp on the Wire Terminals.
11. Slip the Pump Housing back over the Motor Housing and thread onto the upper End Cap.
12. Plug the wires onto the motor being sure the Red Wire is placed on to the terminal with the Red Dot next to it.
13. Push the Motor Assembly into the Motor Housing until the O-ring contacts the housing. Rotate the Motor Assembly while pushing in to both seat the O-ring and align the screw holes. The O-ring on the Motor Assembly should have a thin layer of lubricant, if not, apply lubricant.
14. Thread in all three flat head screws until just before the heads make contact with the motor mount. Advance all three screws in small increments until the motor mount is seated into the housing, being sure not to crimp the O-ring. Very lightly tighten the screws.
15. Insert the Motor Assembly back into the Pump Housing.
16. Test the motor rotation. Insert the battery and turn on the pump. The impeller should rotate in a counterclockwise (CCW) direction. See drawing.
17. Insert the motor spacer and rotate until the 3 slots engage the flanges on the Motor Assembly. Replace the Screen and End Cap.

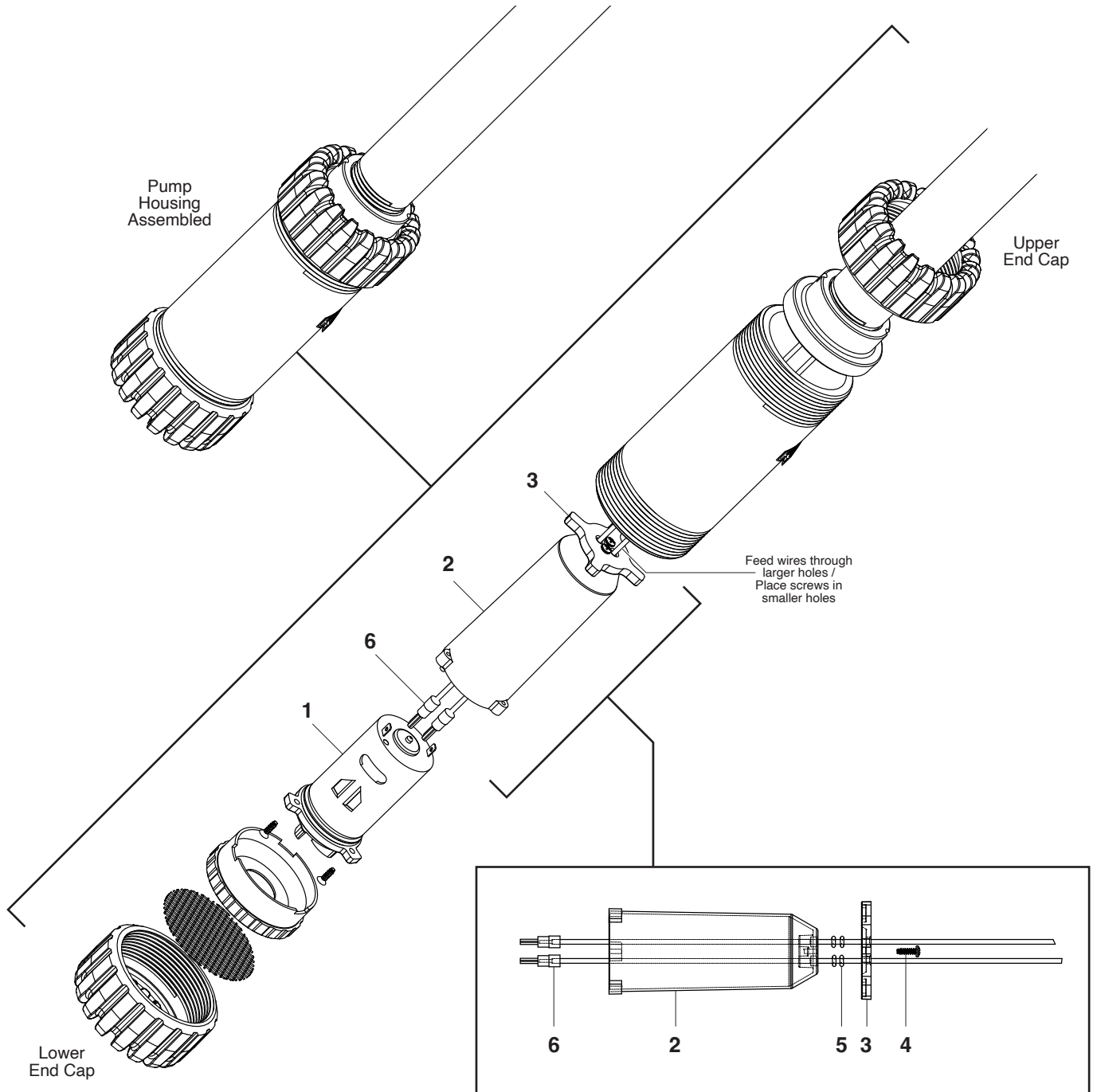


## REED MANUFACTURING

1425 West 8th Street Erie, PA 16502 USA Phone: 800-666-3691 or +1 814-452-3691 Fax: +1 814-455-1697 reedsales@reedmfgco.com

www.reedmfgco.com

# CP15MHRA #98199 Motor Stabilizer / Motor Housing



## Parts List

Ref. No.	Description	Item Code	Qty. Used
1	Motor Assembly	08142	1
2	Motor Housing	48102	1
3	Motor Stabilizer	48210	1
4	#4 x 3/8 Pan HD Screws	48166	2
5	O-Ring	48117	4
6	Wire Connector	48115	2

### REED MANUFACTURING