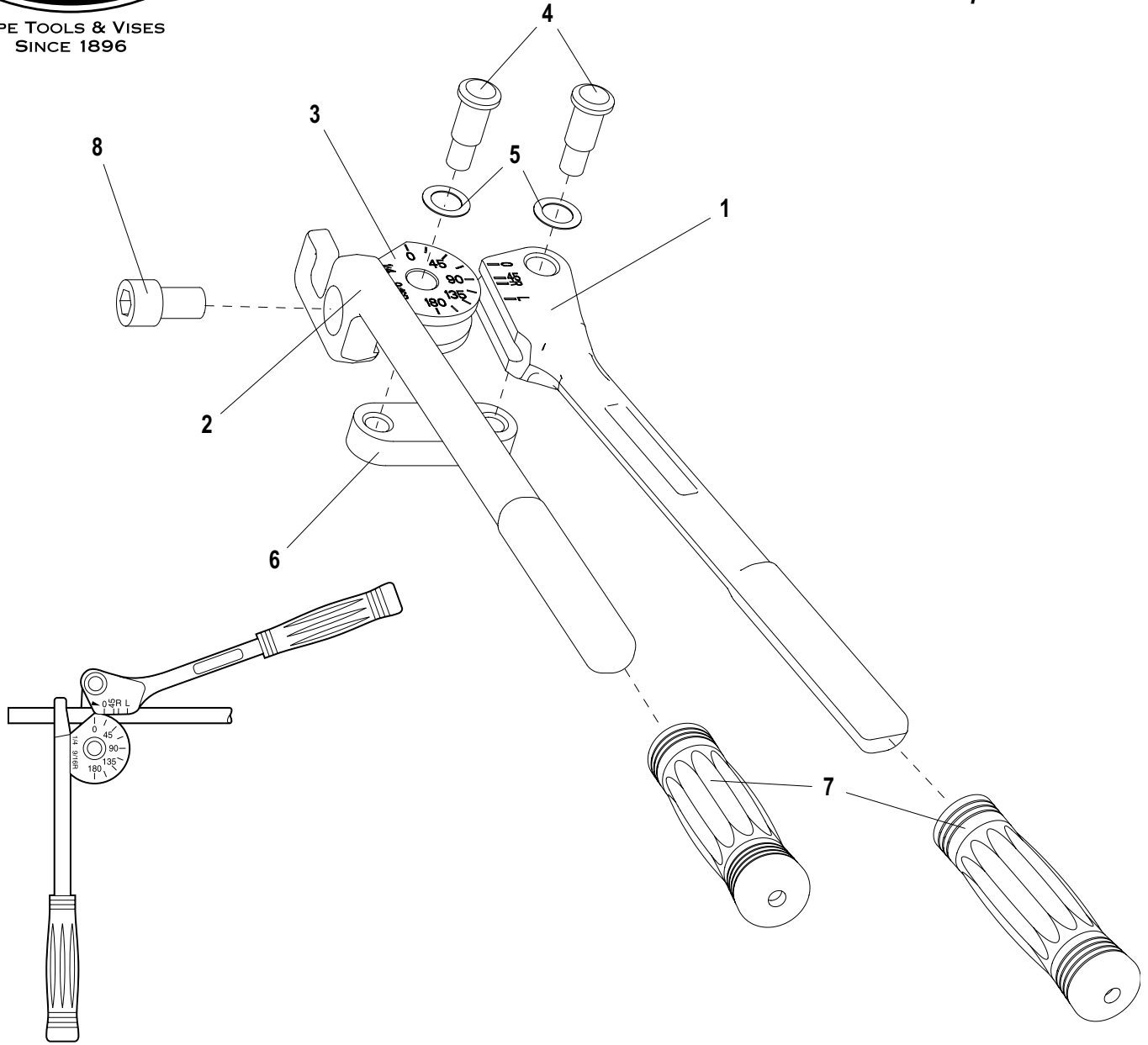




PIPE TOOLS & VISES  
SINCE 1896

# TB02, TB04, TB06, TB08, TB12 - Tubing Bender

Replacement Parts



## Parts List

Ref. No.	Description	TB02 02741 Item Code	TB04 02745 Item Code	TB06 02746 Item Code	TB08 02747 Item Code	TB12 02749 Item Code	Quantity Used
1	Guide Shoe	92680	92740	92748	92756	92900	1
2	Tube Clamp	92681	92741	92749	92757	92913	1
3	Form Wheel	92682	92742	92750	92758	92902	1
4	Pin	92685	92743	92751	92759	92904	2
5	Curved Spring Washer	92745	92745	92753	92761	92908	2
6	Swing Bar	92683	92744	92752	92760	92906	1
7	Vinyl Hand Grip	—	92746	92754	92762	92909	2
8	Soc. Head Cap Screw	92684	32747	32755	32763	32910	1

Reed Manufacturing  
1425 West 8th Street  
Erie, PA 16502 USA

**QUALITY**  
& Service  
that Last a Lifetime

Phone: 800-666-3691 or +1-814-452-3691  
reedsales@reedmfgco.com  
www.reedmfgco.com

RP-0121-87