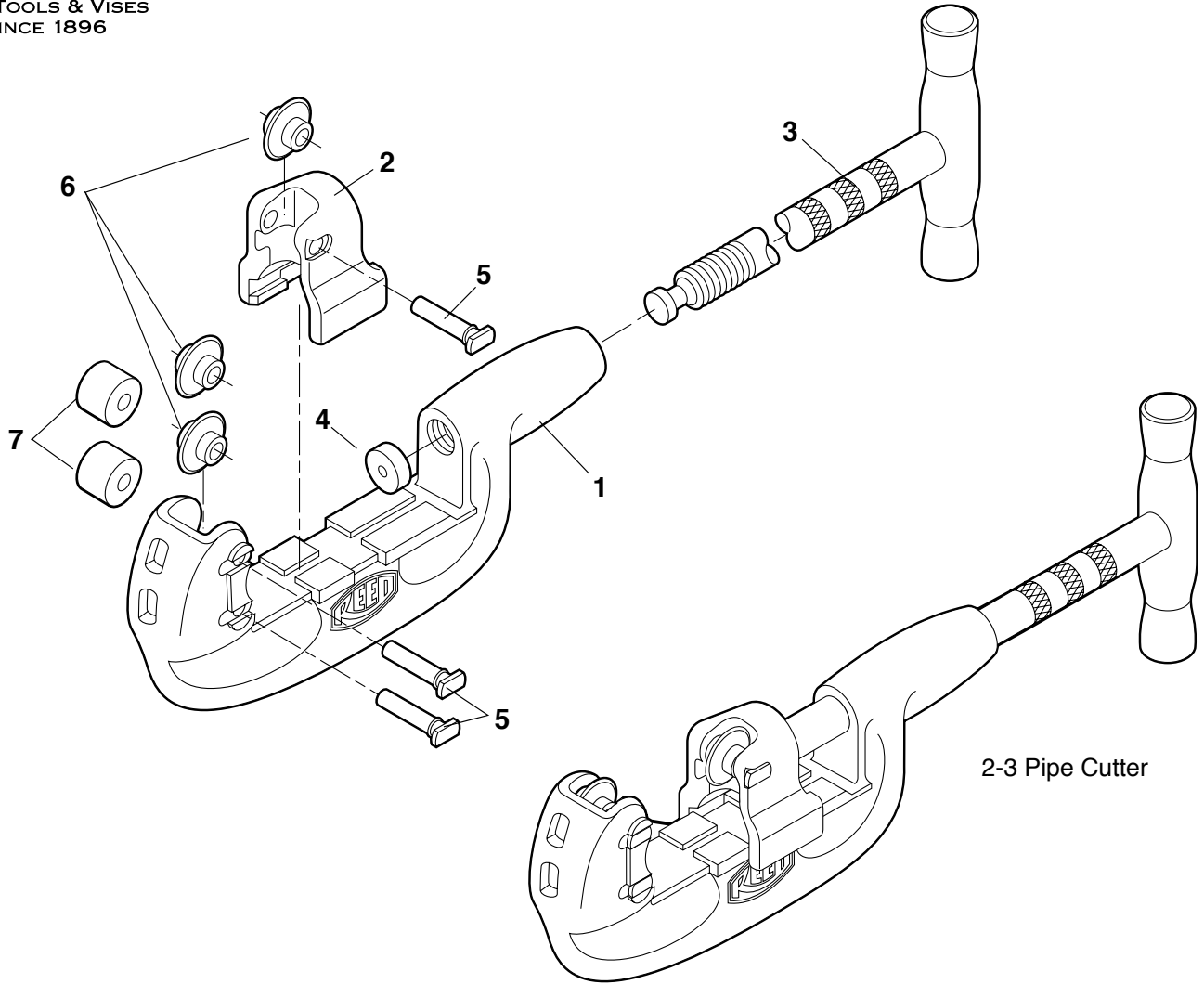




PIPE TOOLS & VISES
SINCE 1896

2" Pipe Cutters (2-1, 2-3, 2-4)

Replacement Parts



2-3 Pipe Cutter

Parts List

Ref. No.	Description	2-1 #03320		2-3 #03305		2-4 #03335	
		Item Code	Qty.	Item Code	Qty.	Item Code	Qty.
1	Cutter Body	93673	1	93673	1	93673	1
2	Block	93674	1	93674	1	93680	1
3	Handle Assembly	93675	1	93675	1	93681	1
4	Thrust Cup	93679	1	93679	1	93679	1
5	Pins	93310	3	93310	3	93310	4
6	Cutter Wheel - Cuts Steel; Stainless Steel*	a. 03612	1	03612	3	03612	4
	Cutter Wheel - Cuts HD for Steel; Stainless Steel	b. 03613	1	03613	1	03613	1
	Cutter Wheel - Cuts Cast Iron	c. 03624	1	03624	1	03624	1
7	Rollers	93312	2	—		—	

*Note: Product ships with the 03612 wheel.

Reed Manufacturing
1425 West 8th Street
Erie, PA 16502 USA



Phone: 800-666-3691 or +1-814-452-3691
reedsales@reedmfgco.com
www.reedmfgco.com

RP-1220-52