



PIPE TOOLS & VISES
SINCE 1896



FTP2000UNIV



FT2000UNIV

Feed TapTM

User Manual

CAUTION:

Hazards exist when drilling into pressurized pipe. Hazards also exist when drilling into unpressurized pipe as it could fail when it becomes pressurized. If the tapping process is performed improperly, C900 and other PVC pipe can split longitudinally. To minimize the risks when performing the tap, apply minimum feed force to the shell cutter and always use sharp shell cutters.

Note: Use correctly sized saddles and evenly tighten each clamp nut and torque the nuts to values recommended by the saddle manufacturer. If tapping into PVC or PE, make sure the tapping saddles are made for use with plastic and provide full circumferential support.

MAKE SURE drill is set in non-hammer mode.

DO NOT USE impact type drills.

DO NOT USE on natural gas or petroleum piping.

SAVE THESE INSTRUCTIONS!

Applies to: 09160, 09161, 09162,
09165, 09166, 09167, 09168, 09169

Manuel de l'opérateur

MISE EN GARDE :

Il existe des dangers lors du perçage dans un tuyau sous pression. Il existe également des risques lors du perçage dans des tuyaux non pressurisés, car ils peuvent se briser lorsqu'ils sont sous pression. Si le processus de taraudage est inapproprié, les tuyaux C900 et autres tuyaux en PVC peuvent fendre sur la longueur. Afin de minimiser les risques lors du taraudage, appliquez une force minimale sur l'emporte-pièce et utilisez toujours des emporte-pièces bien affûtés.

Remarque : utilisez des sellettes de dimension appropriée et serrez uniformément chaque écrou de serrage; serrez les écrous aux valeurs recommandées par le fabricant des sellettes. Si vous utilisez du PVC ou du PE, assurez-vous que les sellettes de taraudage sont conçues pour être utilisées avec du plastique et qu'elles offrent un support complet sur toute la circonférence..

ASSUREZ-VOUS que la perceuse est réglée en mode non marteau.

NE PAS UTILISER de perceuses à impact.

NE PAS UTILISER sur les conduites de gaz naturel ou de pétrole.

CONSERVEZ CES INSTRUCTIONS!

REED MANUFACTURING

1425 West 8th Street Erie, PA 16502 USA Phone: 800-666-3691 or +1 814-452-3691 Fax: +1 814-455-1697 reedsales@reedmfgco.com

www.reedmfgco.com

PRODUCT INFORMATION

Reed's Feed Tap™ drills through PVC, PE, cast iron and ductile iron pipe while under pressure using a corporation stop inserted into a service saddle. Compact design, with independent feed control for advancing the shell cutter into the pipe, allows the user to easily complete the tap using a drill for cast and ductile iron pipe or PE. Manual power is required for use on PVC and similar plastic pipe. The independent feed control advances the shell cutter for tapping PVC pipe as recommended by Uni-Bell PVC Pipe Association. (www.uni-bell.org)

WARNING: The maximum operating pressure for this tool is 200 psi.

NOTE: Absolutely **no power tools** are to be used to turn Feed Tap™ machines to cut PVC or CPVC. Use **manual power** instead.

OPERATING INSTRUCTIONS

1. Select proper tools necessary to perform the tap.

- A. Corporation stop
- B. Shell Cutter size to match corporation stop
 - Arbor must be used with 1-7/16" and 1-3/4" Shell Cutters
- C. Coupon retaining pilot drill
 - Always use with Reed Heavy Duty (HD) Shell Cutters
 - Optional when using Reed PVC/PE Shell Cutter
- D. Proper size and design of service saddles for Ductile Iron, Cast Iron, PVC and PE
- E. Feed Tap™
- F. Any other necessary accessories to meet operating requirements
- G. Appropriate Personal Protective Equipment (PPE)

2. Assemble Feed Tap™ to the pipe.

- A. Clean area of pipe where drilling will occur. On ductile iron and cast iron pipe, use a Reed DS12 or DS36 Descaler.
- B. Place service saddle on the pipe and tighten down to values specified by the manufacturer.
- C. Attach the appropriate corporation stop valve to the service saddle.
- D. Assemble Feed Tap™ with the correct size corporation adapter, shell cutter and coupon retaining pilot drill. For optimum thread life, use plumber's thread seal tape on male threads of main sealing unit prior to attaching corporation adapter.

NOTE: The 1" IPS Coupling Nut must be used with the 1" AWWA - 110 Compression Corporation Adapter.

- E. Lubricate the teeth of the shell cutter generously with Reed Tapping Compound #98425 or #99139.
- F. Lubricate the o-ring inside the corporation adapter with tapping compound. This does not apply to the NPT corporation adapters.
- G. Attach the Feed Tap™ to the corporation stop.
- H. Verify corporation stop will shut with shell cutter and shaft retracted.

HELPFUL HINT: Take note of, or measure, the location of the Independent Feed Control so that upon retracting the cutter back out of the pipe and valve, operator knows how far to retract it to allow the valve to close.

- I. Connect the 7/16" socket and socket adapter. Place the hex shank of the socket adapter into the drill and tighten the chuck. Place the hex socket onto the Feed Tap™ hex shaft.

NOTE: Use of a hand ratchet is required when tapping PVC/CPVC. Do not use a power drill.

- J. Open the bleed-off valve.

3. Completing the Tap

- A. Open the corporation stop and the bleed-off valve on the Feed Tap™.
- B. Using the independent feed control, bring the tool in contact with the pipe surface. Do not run the drill motor without controlling the independent feed control, by hand, at all times. The feed control can self feed too quickly if it is not controlled constantly by the operator. If it self feeds, the coupon retaining pilot drill could jam into the pipe which would damage or break it. The user must always keep ahold of the independent feed control when the boring bar is in motion.

NOTE: Over feeding or force feeding could result in breaking the shear pin. Shear pin is designed to break before user can create enough pressure to crack PVC pipe or damage HD cutters on ductile iron pipe.

- C. Drill through pipe by rotating the drill clockwise and applying slow steady pressure using the independent feed, **turn in a clockwise direction**. Water coming from the bleed-off valve does not indicate the shell cutter has completed its cut. The operator will notice that there is no more resistance when turning the Independent Feed once the shell cutter completes the cut through pipe wall.

NOTE: The **slow speed setting** on the drill motor is recommended. This gives the user best control of the tool and is best for the longevity of the carbide shell cutters and pilot drill. If using a power drill on PE, **use low RPM** to reduce heat generated by the cutting process. Heat can melt the threads on PE.

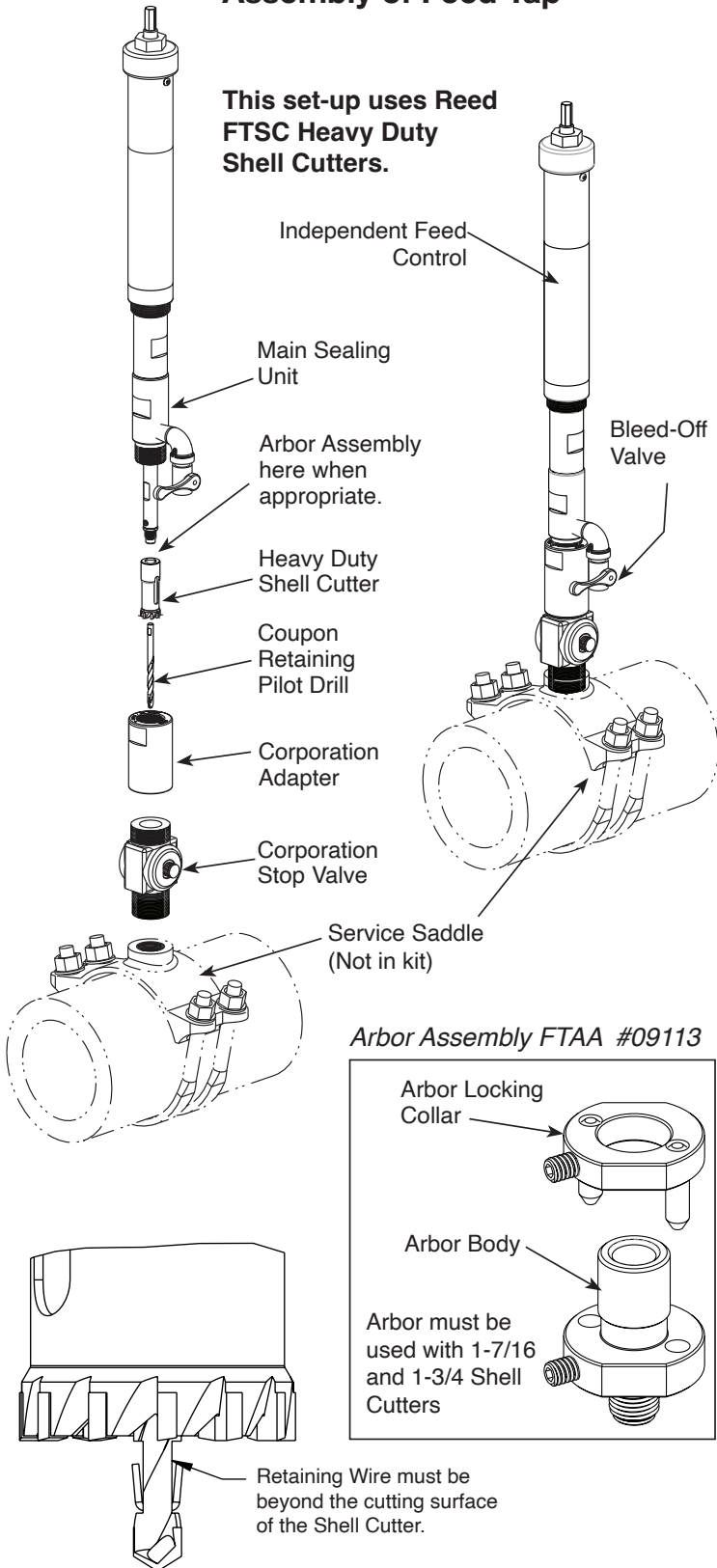
WARNING: Give the feed screw a **couple extra turns** to ensure that the shell cutter has completely cut through the pipe wall. If the coupon is not completely cut, it could strip off the coupon retaining bit when retracting the shell cutter back out of the pipe.

4. Tool Removal and Storage

- A. Once the tap is completed, close the bleed-off valve and reverse the direction of the independent feed. **Turn in a counterclockwise direction** to retract the shell cutter out of the pipe and corporation stop. The **drill motor** can be stopped and removed from

Assembly of Feed Tap™

This set-up uses Reed FTSC Heavy Duty Shell Cutters.



Arbor Instructions:

Arbor attaches directly to the end of the shaft, then the Pilot Drill and Shell Cutter attach to the Arbor. Attach the pilot drill by aligning the flat that is machined onto it, then tighten the set screw. Next thread the shell cutter onto the arbor until it snugs down onto the o-ring, align the locking holes, then slide the arbor locking collar into place and tighten the set screw.

the Feed Tap prior to backing out the tool from the pipe. **Do not** reverse the drill motor direction and use it to back the tool out of the pipe. Doing so could cause the tools on the end of the boring bar to unscrew and drop off.

- B. Turn off the corporation stop and the Feed Tap™ can be removed by disassembling the corporation adapter from the corporation stop valve.
- C. Remove coupon from shell cutter.
 - Remove the Coupon Retaining Pilot Drill Bit by loosening the set screw.
 - Use a screwdriver in the slot of the Shell Cutter to remove the coupon if necessary.

WARNING: The coupon will not come off over the end of the pilot drill bit. Doing so will damage the integrity of the wire coupon retainer. The pilot drill must be removed in order to remove the coupon from the tool. It is not recommended to use a coupon retaining pilot drill that has signs of damage.

- D. Further disassemble the Feed Tap™ as needed to fit in carrying case.

HELPFUL HINT:

- A. If wobbling occurs while drilling:
 1. Loosen the drill chuck from the shaft and reconnect. Typically the chuck jaws are not aligned with the shaft flats.
 2. Replace shell cutter if wobbling continues.

NOTES:

- When removing the shell cutter from the boring bar, grip onto the base of shell cutter with pliers. Gripping onto the shell cutter in the middle of the body or near the cutting end could distort it, causing it to work improperly.
- Do not use shell cutters or pilot drills that have missing, worn or dull carbide.
- Operator may use tapping compound (REED TMTc, TMTc6 food-grade compound) on shell cutters for HDPE to help reduce heat and to make a smoother cut.

Go to page 5 for **TOOL CARE AND MAINTENANCE**

OPTIONAL OPERATING INSTRUCTIONS WHEN USING MAGNETIC COUPON RETAINERS:

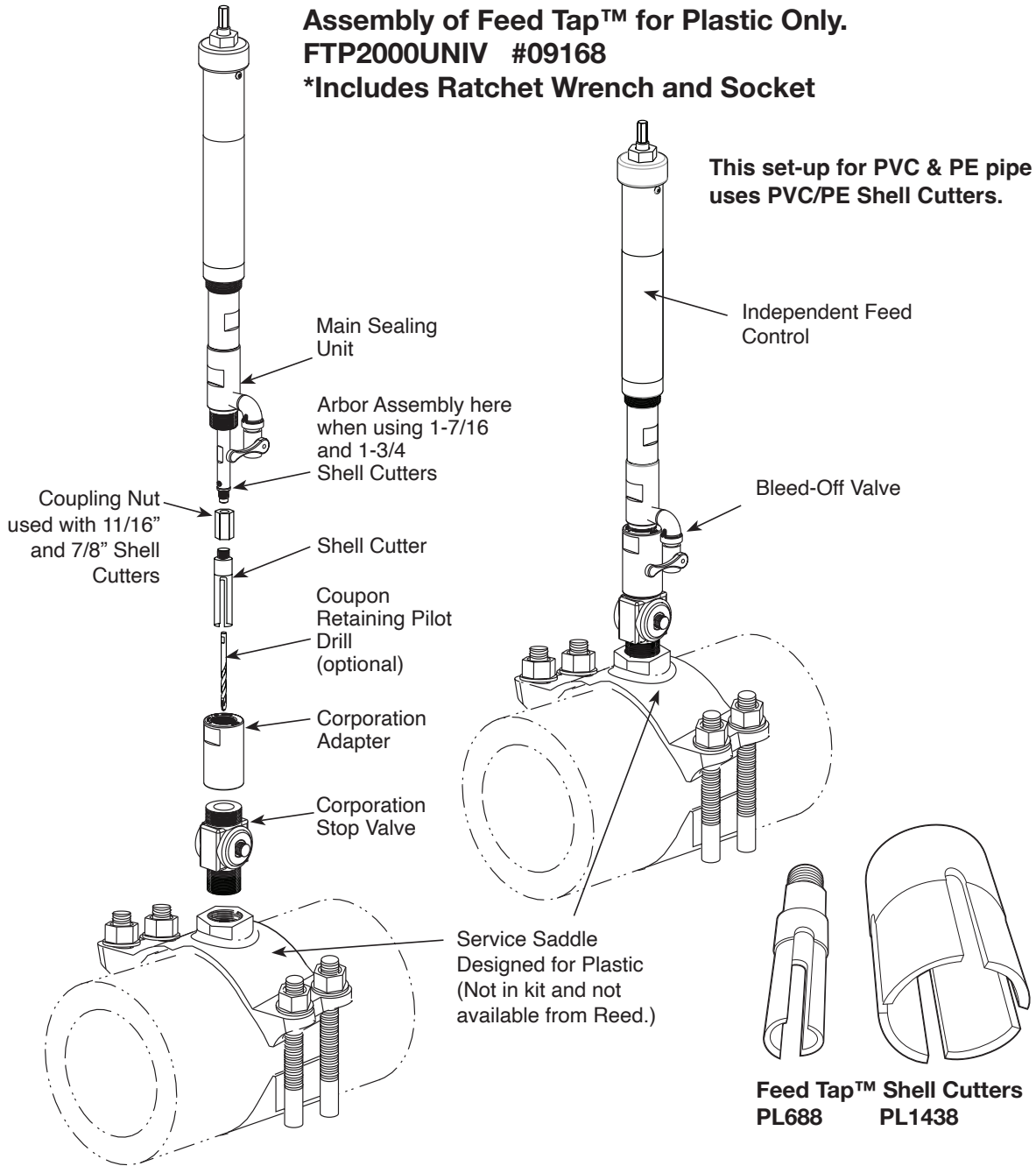
WARNING: The maximum operating pressure for this tool is 200 psi.

1. **Select proper tools necessary to perform the tap.**
 - A. Corporation stop
 - B. Shell Cutter size to match corporation stop
 - Arbor must be used with 1-7/16" and 1-3/4" Shell Cutters
 - C. Proper size service saddles for ductile iron/cast iron
 - D. Magnetic Coupon Retainers
 - E. Feed Tap™
 - F. Any other necessary accessories to meet operating requirements
 - G. Appropriate Personal Protective Equipment (PPE)

Assembly of Feed Tap™ for Plastic Only.

FTP2000UNIV #09168

***Includes Ratchet Wrench and Socket**



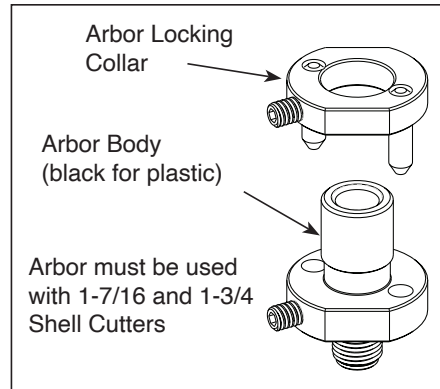
This set-up for PVC & PE pipe uses PVC/PE Shell Cutters.

**Feed Tap™ Shell Cutters
PL688 PL1438**

NOTE: Absolutely **no power tools** are to be used to turn Feed Tap™ machines to cut PVC and similar plastic pipe.



Attach coupling nut to shell cutter.



Arbor Assembly for Plastic Only
FTPLAA #04423

2. Assemble Feed Tap™ to the pipe.

- A. Clean area of pipe where drilling will occur. On ductile iron and cast iron pipe use a Reed DS12 or DS36 Descaler.
- B. Place service saddle on the pipe and tighten down.
- C. Attach the appropriate corporation stop valve to the service saddle.
- D. Assemble the Feed Tap™ with the correct size corporation adapter, pilot drill, shell cutter, and magnetic coupon retainer. For optimum thread life, use plumber's thread seal tape on the male threads of the main sealing unit prior to attaching the corporation adapter.

NOTE: The 1" IPS Coupling Nut must be used with the 1" AWWA - 110 Compression Corporation Adapter.

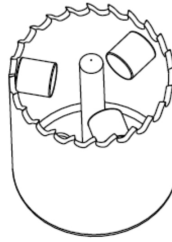
- E. Lubricate the teeth of the shell cutter generously with Reed Tapping Compound #98425 or #99139.
- F. Lubricate the o-ring inside the corporation adapter with Reed tapping compound. This does not apply to NPT corporation adapters.
- G. Attach the Feed Tap™ assembly to the corporation stop. Tighten the corp adapter to the corp stop using the RCORP wrench.
- H. Verify corporation stop will shut with pilot drill and shaft retracted.

HELPFUL HINT: Take note of, or measure, the location of the Independent Feed Control so that when you are retracting the cutter back out of the pipe and valve you know how far you have to retract it in order to allow the valve to close.

- I. Attach the drill motor onto the boring bar of the Feed Tap™ and tighten the chuck.
- J. Open the bleed-off valve.

3. Completing the Tap

- A. Open the corporation stop and the bleed-off valve on the Feed Tap™.
- B. Using the independent feed control, bring the tool in contact with the pipe surface. Do not run the drill motor without controlling the independent feed control, by hand, at all times. The feed control can self feed too quickly if it is not controlled constantly by the operator. If it self feeds, the pilot drill could jam into the pipe which would damage or break it. The user must always keep ahold of the independent feed control when the boring bar is in motion.
- C. Drill through the pipe by rotating the drill clockwise and applying slow steady pressure using the independent feed, **turn in a clockwise direction**. Water coming from the bleed-off valve does not indicate the shell cutter has completed its cut. The operator will notice that there is no more resistance when turning the Independent Feed once the shell cutter completes the cut through the pipe wall.



OPTIONAL: To use magnets as coupon retainer, place magnets in orientation as shown in diagram. Use 1/4" diameter magnets for 3/4"-1" diameter Shell Cutters. Use 3/8" diameter magnets for 1-7/16" to 1-3/4" diameter. Do not use magnets on shell cutters larger than 1-3/4" diameter.

NOTE: The **slow speed setting** on the drill motor is recommended. This gives the user the best control of the tool and is best for the longevity of the carbide shell cutters and pilot drill. Higher speeds will create excessive heat and also dislodge magnets resulting in lost coupon.

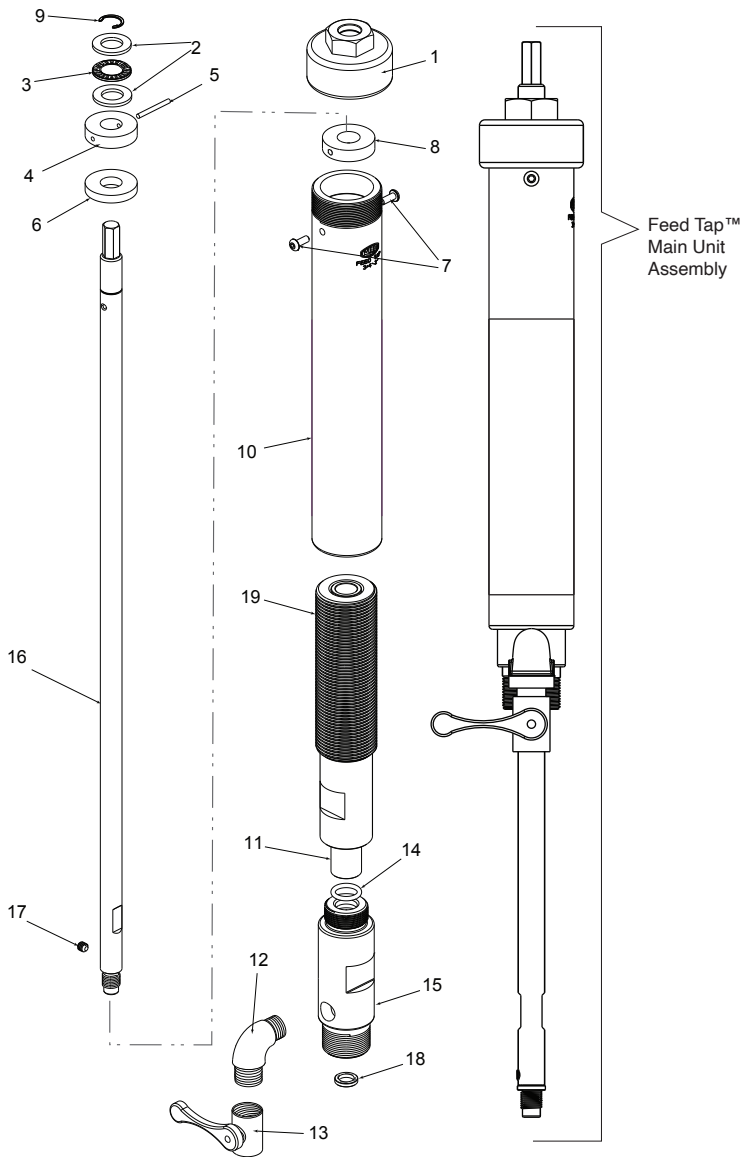
WARNING: Give the feed screw a **couple extra turns** to ensure that the shell cutter has completely cut through the pipe wall. If the coupon is not completely cut, it could strip off the coupon retaining magnet when retracting the shell cutter back out of the pipe.

4. Tool Removal and Storage Refer to page 3-4 for details.

TOOL CARE AND MAINTENANCE

- The o-ring should be lubricated regularly with grease. Reed Tapping Compound may be used for this purpose. *Lubricate the o-ring by disassembling the Main Sealing Unit from the Feed Screw using the wrench flats. Apply grease to the shaft and o-ring and reassemble. It is not necessary to completely take the Main Sealing Unit off the Boring Bar (Shaft). If it is necessary to remove the Main Sealing Unit from the Boring Bar, the following items must be removed first: any Shell Cutters, any Magnetic Coupon Retainers, the Pilot Drill Bit, and the Threaded Washer on the end of the Boring Bar. Also make sure that the Set Screw that holds in the Pilot Drill Bit is either removed or screwed in so that it is not sticking out beyond the surface of the shaft.*
- Keep the threads on the independent feed nut and screw clean. Build up in the threads will cause wear and make the tool difficult to use. If cleaning is needed, use a soft bristle brush and water.
- Water and mud on moving parts can cause corrosion and result in feeding problems. Keep machine clean and lubricated to help eliminate problems.
- Magnetic Coupon Retainers should be wiped clean after use.

FEED TAP™ USER MANUAL



ITEM	DESCRIPTION	ITEM CODE	QTY.
1	FEED NUT CAP ASSEMBLY	99272	1
2	BEARING THRUST WASHER	49161	2
3	NEEDLE THRUST BEARING	49160	1
4	FEED THRUST WASHER	99162	1
5	SPRING PIN (3/PK)	09120	1
6	RULAN BEARING WASHER	49163	1
7	LG BUTTON HD SOC CAP SCR	39161	2
8	RETRACTION THRUST WASHER	99163	1
9	BEARING RETAINING RING	49162	1
10	FEED NUT	99261	1
11	BRONZE BEARING	99103	1
12	90° STREET ELBOW	49142	1
13	BALL VALVE	48161	1
14	O-RING	39119	1
15	CYLINDER	99102	1
16	BORING BAR	99260	1
17	LG HALF DOG POINT	36462	1
18	THREADED WASHER	99101	1
19	FEED SCREW ASSEMBLY	99274	1

Corporation Adapters

Cat. No.	Item Code	Description
FT75CC110	09170	3/4" AWWA and 110 Comp
FT100CC110	09171	1" AWWA and 110 Comp
FT150	09172	1-1/2" AWWA
FT200	09174	2" AWWA
FT150110	09173	1-1/2" 110 Comp
FT200110	09175	2" 110 Comp
DMCA100IPS*	98499	1" IPS
FT75NPT	99117	3/4" NPT
FT100NPT	99118	1" NPT
FT150NPT	99109	1-1/2" NPT
FT200NPT	99112	2" NPT

*Requires #09171 adapter.

Heavy-Duty Shell Cutters

Shell cutters cut up to 2" deep and fit most standard arbors and competitive machines. Cut cast iron, ductile iron and PVC. The attachment thread is 1/2 - 20. Each tooth has carbide inserts which long outlast bi-metal teeth.

Cat. No.	Item Code	Shell Cutter Size Inches*
FTSC688	99132	11/16
FTSC875	99134	7/8
FTSC1438	99137	1-7/16
FTSC1750	99138	1-3/4

*Check manufacturer's fitting specifications for proper hole diameter.

PVC/PE Shell Cutters

- Tool steel is heat-treated for optimum toughness and wear resistance.
- Flute design offers easy cutting and constant coupon retention.
- Cut PE & PVC.

Cat. No.	Item Code	Shell Size in	Nom. Corp. Size in.*
PL688	04385	11/16	3/4"
PL875	04386	7/8	1"
PL1438	04387	1-7/16	1-1/2"
PL1750	04392	1-3/4	2"

*Check manufacturer's fitting specifications for proper hole diameter.

Miscellaneous

Cat. No.	Item Code	Description
FTPLAA	04423	Adapter used with 1-1/2" & 2" PVC/PE Shell Cutters
CSO1RTCH	40232	Ratchet Wrench
FTAA	09113	Arbor Assembly used with 1-7/16 & 1-3/4 FTSC Shell Cutters
FTPSAA	94198	Adapter used with 3/4" & 1" PVC/PE Shell Cutters
CRPD25	99129	1/4" diameter Carbide Tipped Coupon Retaining Drill Bit
FTSA1/2	48207	Socket Adapter, 1/2" Drive
SCKT1/2	48208	7/16" Socket, 1/2" Drive
3PK-FTSP	09120	Spring Pin for Boring Bar, 3 Pack

RENSEIGNEMENTS SUR LE PRODUIT

Le Feed Tap™ de Reed perce à travers les tuyaux en PVC, en PE, en fonte et en fonte ductile sous pression à l'aide d'un robinet de prise inséré dans une selle de service. La conception compacte, avec une commande d'alimentation indépendante pour faire avancer l'emporte-pièce dans le tuyau, permet à l'utilisateur de compléter facilement le taraud à l'aide d'une perceuse pour tuyau en fonte et en fonte ductile ou en PE. Une alimentation manuelle est requise pour une utilisation sur des tuyaux en PVC et en plastique similaires. Le contrôle d'alimentation indépendant fait avancer l'emporte-pièce pour le taraudage des tuyaux en PVC, comme recommandé par l'Uni-Bell PVC Pipe Association. (www.uni-bell.org)

AVERTISSEMENT : La pression de fonctionnement maximale pour cet outil est de 200 psi.

REMARQUE : Absolument aucun outil électrique ne doit être utilisé pour transformer les machines Feed Tap™ pour couper des tuyaux en PVC, CPVC ou tout autre type de tuyau en plastique. Utilisez plutôt des outils manuels.

INSTRUCTIONS DE FONCTIONNEMENT

1. Choisissez les outils appropriés nécessaires pour effectuer le taraudage.

- Robinet de prise
- Dimension de l'emporte-pièce correspondant au robinet de prise • Un mandrin doit être utilisé avec les emporte-pièces de 3,6 cm (1-7/16 po) et 4,4 cm (1-3/4 po)
- Foret-guide de retenue d'échantillons
 - Utilisez toujours les emporte-pièces robustes (HD) de Reed
 - Facultatif lors de l'utilisation de l'emporte-pièce pour PVC/PE de Reed
- Dimension et conception appropriées des sellettes de service pour la fonte ductile, la fonte, le PVC et le PE
- Feed Tap™
- Tout autre accessoire nécessaire pour répondre aux exigences de fonctionnement
- Équipement de protection individuelle (ÉPI) approprié

2. Assembler Feed Tap™ au tuyau.

- Nettoyer la zone du tuyau où le perçage aura lieu. Sur les tuyaux en fonte ductile et en fonte, utiliser un détartrant Reed DS12 ou DS36.
- Placez la sellette de service sur le tuyau et serrez aux valeurs spécifiées par le fabricant.
- Fixez la vanne du robinet de prise appropriée à la sellette de service.
- Assemblez le Feed Tap™ avec l'adaptateur de branchement de dimension appropriée, l'emporte-pièce et le foret-guide de retenue d'échantillons. Pour une durée de vie optimale du filetage, utiliser du ruban d'étanchéité pour filetage de plombier sur les filets mâles de l'unité de scellage principale avant de fixer l'adaptateur de branchement.

REMARQUE : l'écrou d'accouplement IPS de 2,5 cm (1 po) doit être utilisé avec l'adaptateur de branchement à compression AWWA-110 de 2,5 cm (1 po).

- Lubrifiez généreusement les dents de l'emporte-pièce avec le composé à taraudage Reed n° 98425 ou n° 99139.
- Lubrifiez le joint torique à l'intérieur de l'adaptateur de branchement avec un composé de taraudage. Ne s'applique pas aux adaptateurs de branchement NPT.
- Fixez le Feed Tap™ au robinet de prise.
- Vérifiez que le robinet de prise sera fermé avec l'emporte-pièce et le mandrin rétractés.

CONSEIL UTILE : Prenez note ou mesurez l'emplacement du contrôle de l'alimentation indépendant de manière à ce que, lorsque vous retirez l'emporte-pièce du tuyau et de la soupape, l'opérateur sache jusqu'où la rétracter afin de permettre à la soupape de se refermer.

- Branchez la douille 7/16 po et l'adaptateur de douille. Placez la tige hexagonale de l'adaptateur de douille dans la perceuse et serrez le mandrin. Placez la douille hexagonale sur l'arbre hexagonal Feed Tap™.

REMARQUE : Utilisez une clé à cliquet à main lors du taraudage d'un tuyau en PVC, CPVC ou tout autre tuyau en plastique similaire. Ne pas utiliser une perceuse électrique.

- Ouvrez la vanne de purge.

3. Compléter le taraudage

- Ouvrez le robinet de prise et la vanne de purge sur le Feed Tap™.
- En utilisant le contrôle d'alimentation indépendant, amener l'outil en contact avec la surface du tuyau. Ne pas faire fonctionner le moteur de la perceuse sans contrôler le contrôle d'alimentation indépendant, à la main, en tout temps. Le contrôle d'alimentation peut s'autoalimenter trop rapidement s'il n'est pas contrôlé en permanence par l'opérateur. S'il s'autoalimente, le foret-guide de retenue d'échantillons pourrait se coincer dans le tuyau ce qui l'endommagerait ou le briserait. L'utilisateur doit toujours garder le contrôle du flux indépendant lorsque la barre d'alésage est en mouvement.

REMARQUE : Une suralimentation ou une alimentation forcée pourrait entraîner la rupture de la goupille de sécurité. La goupille de sécurité est conçue pour se briser avant que l'utilisateur puisse créer assez de pression pour faire craquer le tuyau de PVC ou pour endommager les emporte-pièces HD sur le tuyau de fer ductile.

- Percez le tuyau en faisant tourner le foret dans le sens des aiguilles d'une montre et en appliquant une pression lente et constante à l'aide de l'alimentation indépendante, tournez dans le sens des aiguilles d'une montre. L'eau provenant de la soupape de purge n'indique pas que l'emporte-pièce a terminé sa coupe. L'opérateur remarquera qu'il n'y a plus de résistance lors de la rotation de l'alimentation indépendante une fois que l'emporte-pièce a terminé la coupe à travers la paroi du tuyau.

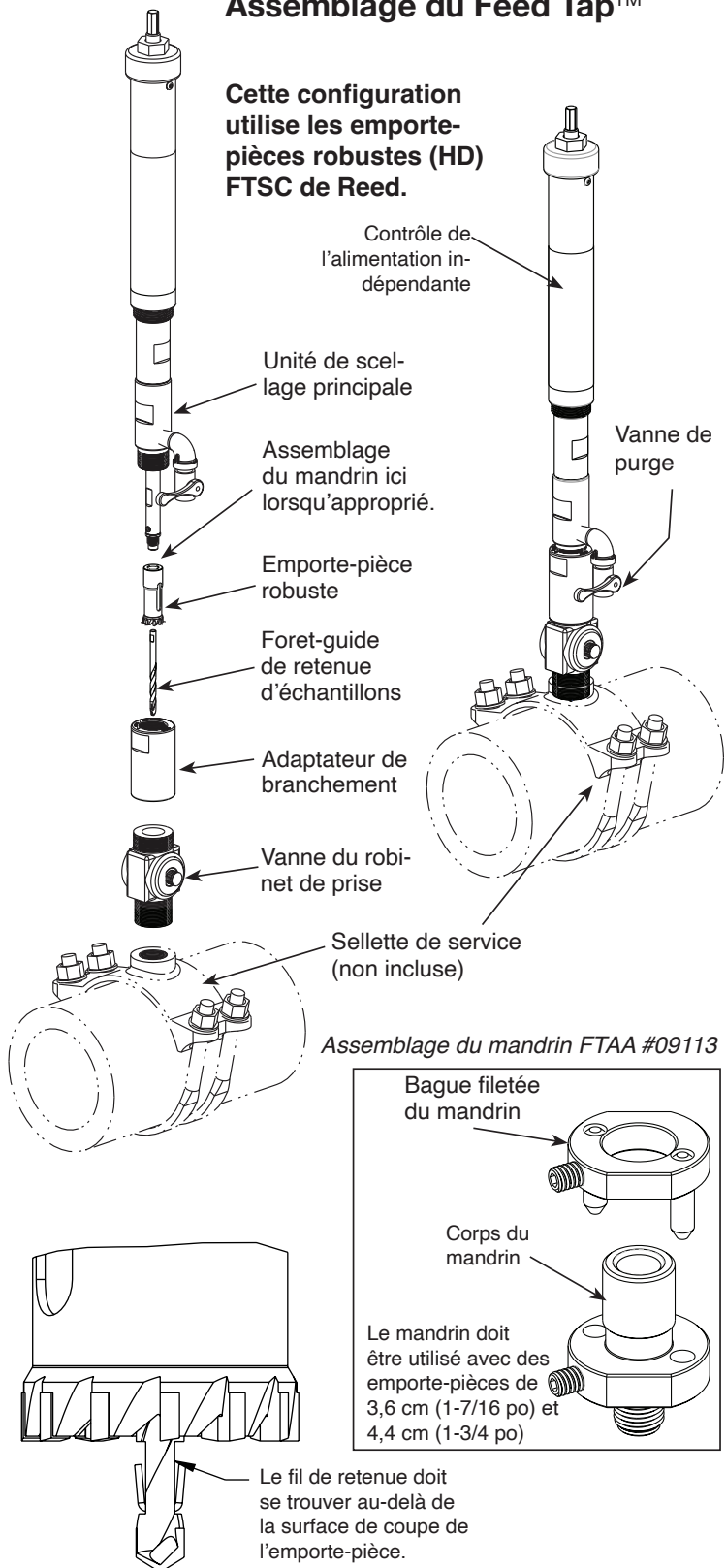
REMARQUE: Le réglage de la vitesse lente sur le moteur de la perceuse est recommandé. Ceci donne à l'utilisateur un meilleur contrôle de l'outil et c'est ce qu'il y a de mieux pour la longévité des emporte-pièces en carbure et des forets pilotes. Si vous utilisez une perceuse électrique sur du PE, **utilisez un régime lent** afin de réduire la chaleur générée par le processus de coupe. La chaleur peut faire fondre les filets sur le PE.

AVERTISSEMENT: Donnez quelques tours supplémentaires à la vis d'alimentation afin de vous assurer que l'emporte-pièce a complètement coupé la paroi du tuyau. Si l'échantillon n'est pas complètement coupé, il pourrait se détacher du trépan de retenue de l'échantillon lors de la rétraction de l'emporte-pièce hors du tube.

4. Retrait et entreposage d'outils

- Une fois le taraudage terminé, fermez la vanne de purge et inversez la direction de l'alimentation indépendante. **Tournez dans le sens inverse des aiguilles d'une montre** pour rétracter l'emporte-pièce hors du tuyau et le robinet de prise. Le **moteur de la perceuse** peut être arrêté et retiré du Feed Tap avant de retirer l'outil du tuyau. **Ne pas** inverser la direction du moteur de la perceuse et l'utiliser pour reculer l'outil hors du tuyau.

Assemblage du Feed Tap™



Cette configuration utilise les emporte-pièces robustes (HD) FTSC de Reed.

Instructions pour le mandrin :

Le mandrin se fixe directement à l'extrémité de l'arbre, puis le foret-guide et l'emporte-pièce s'attachent au mandrin. Fixez le foret-guide en alignant le plat qui y est maillé, puis serrez la vis de réglage. Enfilez ensuite l'emporte-pièce sur l'arbre jusqu'à ce qu'il s'enclenche sur le joint torique, alignez les trous de verrouillage, puis faites glisser la bague filetée du mandrin en place et serrez la vis de réglage.

Cela pourrait entraîner le dévissage et la chute des outils situés à l'extrémité de la barre d'alésage.

- B. Fermez le robinet de prise et le Feed Tap™ peut être retiré en démontant l'adaptateur de branchement de la vanne du robinet de prise.
- C. Retirez l'échantillon de l'emporte-pièce.
 - Retirez le foret-guide de retenue d'échantillons en desserrant la vis de réglage.
 - Utilisez un tournevis dans la fente de l'emporte-pièce pour retirer l'échantillon si nécessaire.

AVERTISSEMENT : l'échantillon ne sortira pas au bout du foret-guide. Cela endommagerait l'intégrité de la retenue de l'échantillon de fil. La perceuse pilote doit être retirée afin de retirer l'échantillon de l'outil. Il est déconseillé d'utiliser un foret-guide de retenue d'échantillons présentant des signes de dommages.

- D. Démontez davantage le Feed Tap™ au besoin pour l'insérer dans l'étui.

CONSEIL UTILE :

- A. Si l'oscillation se produit pendant le perçage :
 1. Desserrez le mandrin de l'arbre et reconnectez-le. Généralement, les mâchoires du mandrin ne sont pas alignées avec les surplats de serrage.
 2. Remplacez l'emporte-pièce si l'oscillation perdure.

REMARQUES :

- Lorsque vous retirez l'emporte-pièce de la barre d'alésage, saisissez la base de l'emporte-pièce avec une pince. Le fait d'agripper l'emporte-pièce au milieu du corps ou près de l'extrémité coupante pourrait le déformer et l'empêcher de fonctionner correctement.
- N'utilisez pas d'emporte-pièces ou de forets pilotes dont le carbure est manquant, usé ou terne.
- L'opérateur peut utiliser le composé de taraudage (le composé de qualité alimentaire REED TMTCC, TMTCC6) sur des emporte-pièces pour HDPE afin d'aider à réduire la chaleur et à faire une coupe plus douce.

Consultez la section **SOINS ET ENTRETIEN DES OUTILS** à la page 5

FACULTATIF INSTRUCTIONS DE FONCTIONNEMENT LORS DE L'UTILISATION DE RETENUES D'ÉCHANTILLON MAGNÉTIQUES :

AVERTISSEMENT: la pression de fonctionnement maximale pour cet outil est de 200 psi.

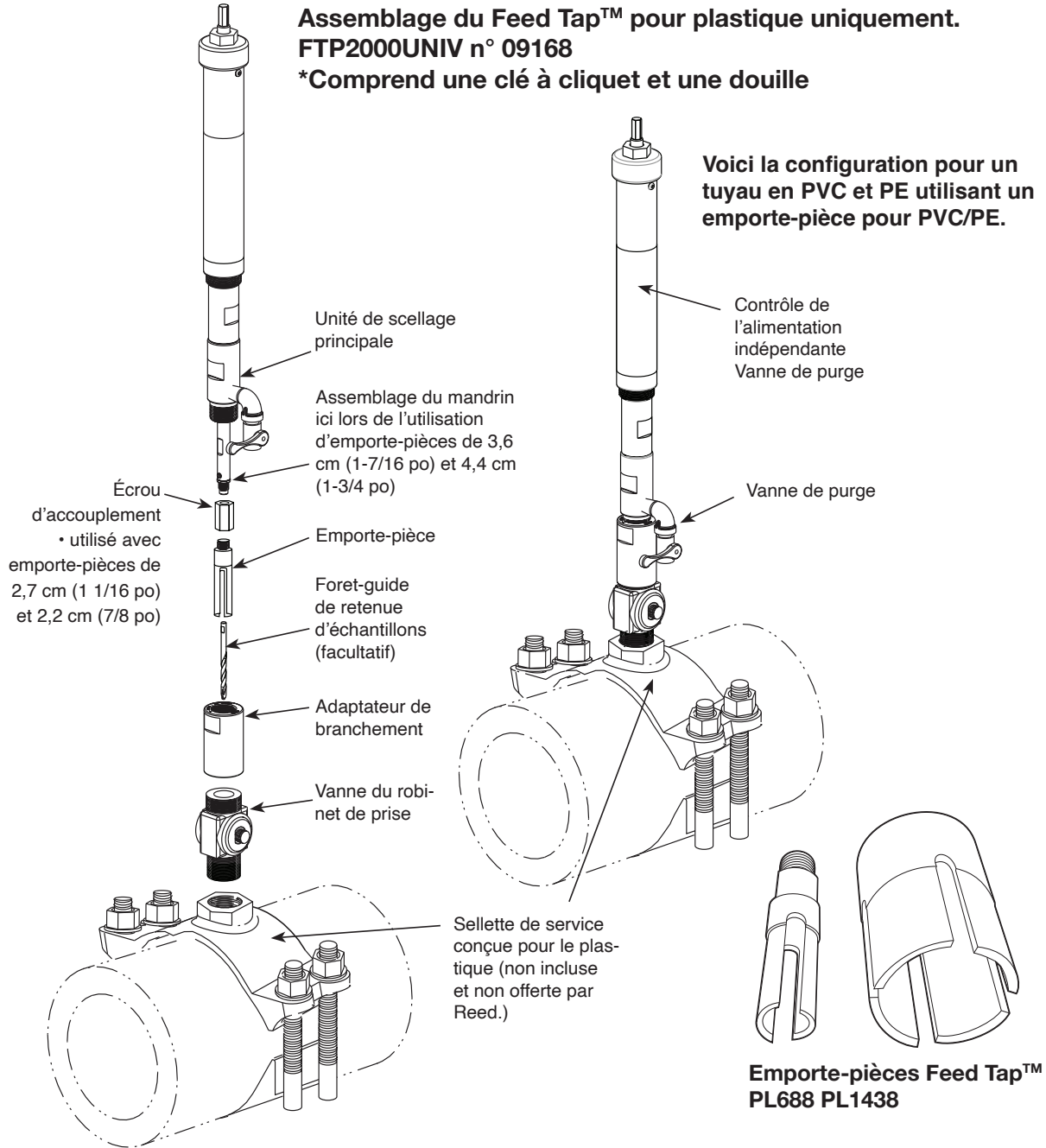
1. Choisissez les outils appropriés nécessaires pour effectuer le taraudage.

- A. Robinet de prise
- B. Dimension de l'emporte-pièce correspondant au robinet de prise • Un mandrin doit être utilisé avec les emporte-pièces de 3,6 cm (1-7/16 po) et 4,4 cm (1-3/4 po)
- C. Dimension appropriée des sellettes de service pour la fonte ductile, la fonten
- D. Retenues d'échantillon magnétiques
- E. Feed Tap™
- F. Tout autre accessoire nécessaire pour répondre aux exigences de fonctionnement
- G. Équipement de protection individuelle (ÉPI) approprié

Assemblage du Feed Tap™ pour plastique uniquement.

FTP2000UNIV n° 09168

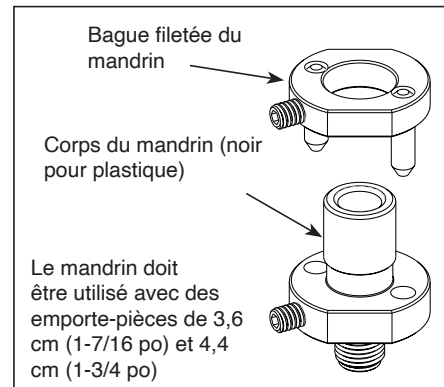
***Comprend une clé à cliquet et une douille**



REMARQUE : Absolument **aucun outil électrique** ne doit être utilisé pour transformer les machines Feed Tap™ afin de couper des PVC et autre tuyau en plastique similaire.



Fixez l'écrou d'accouplement à l'emporte-pièce.



Assemblage du mandrin pour plastique uniquement FTPLAA n° 04423

2. Assemblez Feed Tap™ au tuyau.

- A. Nettoyez la zone du tuyau où le perçage aura lieu. Sur les tuyaux en fonte ductile et en fonte, utiliser un détartrant Reed DS12 ou DS36.
- B. Placez la sellette de service sur le tuyau et serrez.
- C. Fixez la vanne du robinet de prise appropriée à la sellette de service.
- D. Assemblez le Feed Tap™ avec l'adaptateur de branchement de dimension appropriée, l'emporte-pièce et la retenue de l'échantillon magnétique. Pour une durée de vie optimale du filetage, utiliser du ruban d'étanchéité pour filetage de plombier sur les filets mâles de l'unité de scellage principale avant de fixer l'adaptateur de branchement.

REMARQUE: l'écrou d'accouplement IPS de 2,5 cm (1 po) doit être utilisé avec l'adaptateur de branchement à compression AWWA-110 de 2,5 cm (1 po).

AWWA 110 2,5 cm (1 po) - adaptateur de branchement à compression.

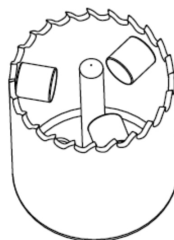
- E. Lubrifiez généreusement les dents de l'emporte-pièce avec le composé à taraudage Reed n° 98425 ou n° 99139.
- F. Lubrifiez le joint torique à l'intérieur de l'adaptateur de branchement avec un composé de taraudage Reed. Ceci ne s'applique pas aux adaptateurs de branchement NPT.
- G. Fixez le Feed Tap™ au robinet de prise de l'assemblage. Serrez l'adaptateur de branchement au robinet de prise à l'aide de la clé RCORP.
- H. Vérifiez que le robinet de prise sera fermé avec le forêt-guide et le mandrin rétractés.

CONSEIL UTILE : prenez note ou mesurez l'emplacement du contrôle de l'alimentation indépendant de manière à ce que, lorsque vous retirez l'emporte-pièce du tuyau et de la soupape, vous sachiez jusqu'où la rétracter afin de permettre à la soupape de se refermer.

- I. Fixez le moteur de perçage sur la barre d'alésage du Feed Tap™ et serrez le mandrin.
- J. Ouvrez la vanne de purge.

3. Compléter le taraudage

- A. Ouvrez le robinet de prise et la vanne de purge sur le Feed Tap™.
- B. En utilisant le contrôle d'alimentation indépendant, amener l'outil en contact avec la surface du tuyau. Ne pas faire fonctionner le moteur de la perceuse sans contrôler le contrôle d'alimentation indépendant, à la main, en tout temps. Le contrôle d'alimentation peut s'autoalimenter trop rapidement s'il n'est pas contrôlé en permanence par l'opérateur. S'il s'autoalimente, le forêt-guide pourrait se coincer dans le tuyau ce qui l'endommagerait ou le briserait. L'utilisateur doit toujours garder le contrôle du flux indépendant lorsque la barre d'alésage est en mouvement.
- C. Percez le tuyau en faisant tourner le forêt dans le sens des aiguilles d'une montre et en appliquant une pression lente et constante à l'aide de l'alimentation indépendante, **tournez dans le sens des aiguilles d'une montre.** L'eau provenant de la soupape de purge n'indique pas que l'emporte-pièce a terminé sa coupe. L'opérateur remarquera qu'il n'y a plus de résistance lors de la rotation de l'alimentation indépendante une fois que l'emporte-pièce a terminé la coupe à travers la paroi du tuyau.



FACULTATIF : Pour utiliser des aimants en tant que retenue d'échantillon, placez les aimants dans l'orientation comme indiqué sur le diagramme. Utilisez des aimants d'un diamètre de 0,6 cm (1/4 po) pour des emporte-pièces de 1,9 à 2,5 cm (3/4 à 1 po) de diamètre. Utilisez des aimants d'un diamètre de 0,9 cm (3/8 po) pour un diamètre de 3,6 à 4,4 cm (1-7/16 à 1-3/4 po) de diamètre. Ne pas utiliser d'aimants sur des emporte-pièces d'une largeur supérieure à un diamètre de 4,4 cm (1-3/4 po).

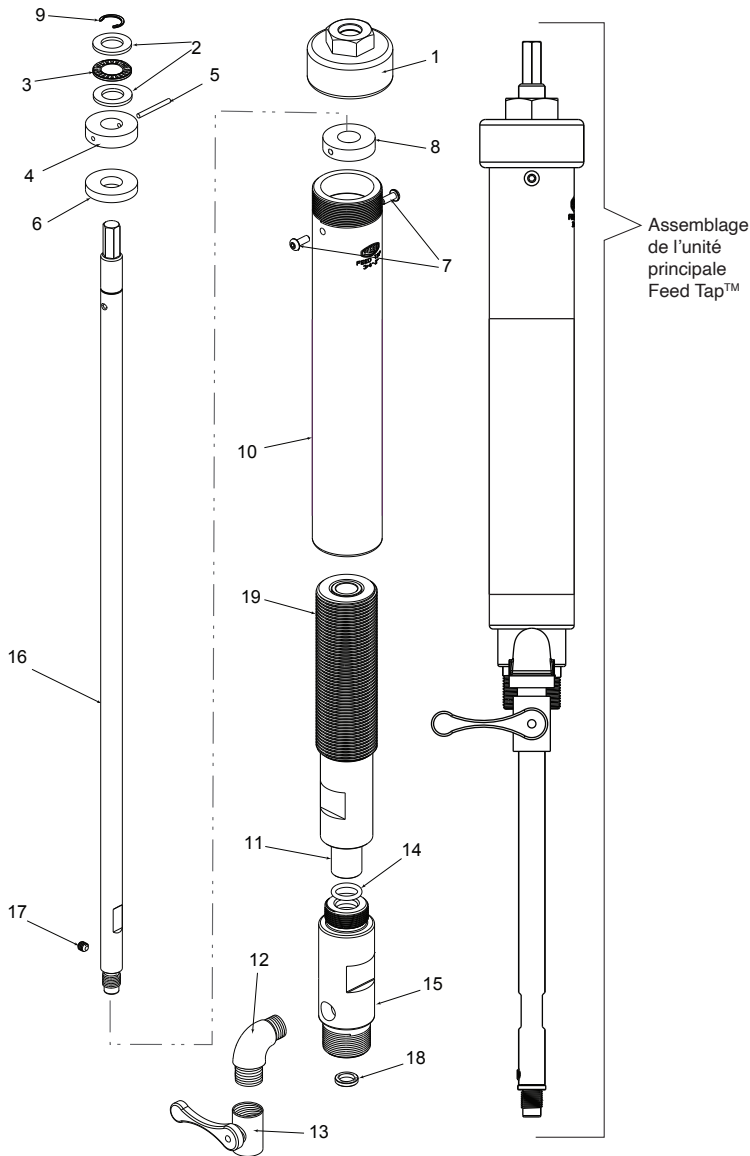
REMARQUE: le réglage de la vitesse lente sur le moteur de la perceuse est recommandé. Ceci donne à l'utilisateur un meilleur contrôle de l'outil et c'est ce qu'il y a de mieux pour la longévité des emporte-pièces en carbure et des forets pilotes. Des vitesses plus élevées créeront une chaleur excessive et délogeront également les aimants, entraînant une perte de l'échantillon.

AVERTISSEMENT : Donnez quelques tours supplémentaires à la vis d'alimentation afin de vous assurer que l'emporte-pièce a complètement coupé la paroi du tuyau. Si l'échantillon n'est pas complètement coupé, il pourrait se détacher de l'aimant de retenue de l'échantillon lors de la rétraction de l'emporte-pièce hors du tube.

4. Pour de plus amples détails, consultez la section Retrait et entreposage d'outils aux pages 3 et 4.

SOINS ET ENTRETIEN DES OUTILS

- Le joint torique doit être lubrifié régulièrement avec de la graisse. Le composé à taraudage Reed peut être utilisé à cette fin. Lubrifiez le joint torique en démontant l'unité d'étanchéité principale de la vis d'alimentation à l'aide des surplats de serrage. Appliquez de la graisse sur l'arbre et le joint torique et réassemblez. Il n'est pas nécessaire de retirer complètement l'unité d'étanchéité principale de la barre d'alésage (arbre). S'il est nécessaire de retirer l'unité d'étanchéité principale de la barre d'alésage, les éléments suivants doivent d'abord être retirés : tout emporte-pièce, tout dispositif de retenue d'échantillon magnétique, le forêt-guide et la rondelle fileté à l'extrémité de la barre d'alésage. Assurez-vous également que la vis de serrage qui retient le forêt-guide est retirée ou vissée afin qu'elle ne dépasse pas de la surface de l'arbre. Maintenez les filets sur l'écrou d'alimentation indépendant et vissez. L'accumulation dans les filetages causera de l'usure et rendra l'outil difficile à utiliser. Si un nettoyage est nécessaire, utilisez une brosse à soies souples et de l'eau.
- L'eau et la boue sur les pièces mobiles peuvent causer de la corrosion et entraîner des problèmes d'alimentation. Gardez la machine propre et lubrifiée pour aider à éliminer les problèmes.
- Les dispositifs de retenue d'échantillon magnétique doivent être nettoyés après usage.



ARTICLE	DESCRIPTION	CODE D'ARTICLE	QTÉ
1	ENSEMBLE DU CAPUCHON D'ALIMENTATION	99272	1
2	RONDELLE DU CHEVAUCHEMENT DE ROULEMENT	49161	2
3	RONDELLE DENTELÉE DU CHEVAUCHEMENT DE ROULEMENT	49160	1
4	RONDELLE DU CHEVAUCHEMENT D'ALIMENTATION	99162	1
5	GOUPILLE ÉLASTIQUE, 3/PQT	09120	1
6	RONDELLE DU CHEVAUCHEMENT RULAN	49163	1
7	LLG BOUTON HD SOC CAP SCR	39161	2
8	RONDELLE DE RÉTRACTION	99163	1
9	BAGUE DE RETENUE DU ROULEMENT	49162	1
10	ÉCROU D'ALIMENTATION	99261	1
11	ROULEMENT BRONZE	99103	1
12	COUDE MÂLE ET FEMELLE 90°	49142	1
13	ROBINET À TOURNANT SPHÉRIQUE	48161	1
14	O-RING JOINT TORIQUE	39119	1
15	CYLINDER	99102	1
16	BARRE D'ALÉSAGE	99260	1
17	TÉTON COURT LG	36462	1
18	RONDELLE FILETÉE	99101	1
19	ENSEMBLE DE LA VIS D'ALIMENTATION	99274	1

Adaptateurs de branchement

No. cat.	Code d'article	Description
FT75CC110	09170	1,9 cm (3/4 po) AWWA et 110 Comp
FT100CC110	09171	2,5 cm (1 po) AWWA et 110 Comp
FT150	09172	3,8 cm (1-1/2 po) AWWA
FT200	09174	2" AWWA
FT150110	09173	1-1/2" 110 Comp
FT200110	09175	2" 110 Comp
DMCA100IPS*	98499	1" IPS
FT75NPT	99117	3/4" NPT
FT100NPT	99118	1" NPT
FT150NPT	99109	1-1/2" NPT
FT200NPT	99112	2" NPT

*Nécessite l'adaptateur n° 09171.

Emporte-pièces robustes

Les emporte-pièces coupent jusqu'à 2 po de profondeur et s'adaptent à la plupart des mandrins standard et des machines concurrentes. Coupent le PVC, la fonte et la fonte ductile. Le fil de fixation est de 1/2 à 20. Chaque dent de l'emporte-pièce dispose d'insertions en carbure qui durent plus longtemps que les dents bimétalliques.

No. cat.	Code d'article	Dimensions en pouces des emporte-pièces*
FTSC688	99132	11/16
FTSC875	99134	7/8
FTSC1438	99137	1-7/16
FTSC1750	99138	1-3/4

*Vérifiez les spécifications du fabricant afin de connaître le diamètre de trou approprié.

Emporte-pièces pour PVC/PE

- L'acier de l'outil est traité thermiquement pour une dureté et une résistance à l'usure optimales.
- La conception de la cannelure offre une coupe facile et une rétention constante des échantillons.
- Coupent le PE et PVC.

No. cat.	Code d'article	Dimension de l'emporte-pièce en pouces	Dimension du branchement en pouces
PL688	04385	11/16	3/4"
PL875	04386	7/8	1"
PL1438	04387	1-7/16	1-1/2"
PL1750	04392	1-3/4	2"

*Check manufacturer's fitting specifications for proper hole diameter.

Divers

No. cat.	Code d'article	Description
FTPLAA	04423	Adaptateur utilisé avec emporte-pièces en PVC/PE de 3,8 et 5 cm (1-1/2 et 2 po)
DMP716	04428	Clé à cliquet
FTAA	09113	Ensemble du mandrin utilisé avec emporte-pièces FTSC de 3,6 et 4,4 cm (1-7/16 et 1-3/4 po)
FTPSAA	94198	Adaptateur utilisé avec emporte-pièces en PVC/PE de 1,9 et 2,5 cm (3/4 et 1 po)
CRPD25	99129	Foret de retenue d'échantillons à embout en carbure de 0,6 cm (1/4 po)
FTSA1/2	48207	Adaptateur de douille, entraînement 1,27 cm (1/2 po)
SCKT1/2	48208	Douille de 1,11 cm (7/16 po), entraînement 1,27 cm (1/2 po)
3PK-FTSP	09120	Goupille élastique pour barre d'alésage, 3/paquet



REED Warranty

REED will repair or replace tools with any defects due to faulty materials or workmanship for one (1) year or five (5) years from the date of purchase, as applicable. This warranty does not cover part failure due to tool abuse, misuse, or damage caused where repairs or modifications have been made or attempted by non REED authorized repair technicians. This warranty applies only to REED tools and does not apply to accessories. This warranty applies exclusively to the original purchaser.

One (1) year warranty: Power units for pneumatic, electric, hydraulic and battery-powered tools have a one year warranty. This includes, but is not limited to REED pumps, universal pipe cutter motors, power drives, power bevel tools, threading machines, cordless batteries and chargers.

Five (5) year warranty: Any REED tool not specified under the one (1) year warranty above is warranted under the REED five (5) year warranty.

NO PARTY IS AUTHORIZED TO EXTEND ANY OTHER WARRANTY. NO WARRANTY FOR MERCHANTABILITY OR FITNESS FOR A PARTICULAR PURPOSE SHALL APPLY.

No warranty claims will be allowed unless the product in question is received freight prepaid at the REED factory. All warranty claims are limited to repair or replacement, at the option of REED, at no charge to the customer. REED is not liable for any damage of any sort, including incidental and consequential damages. This warranty gives you specific legal rights, and you may also have other rights which vary by state, province or country.

Warranty Effective December 1, 2018

Garantie REED

REED réparera ou remplacera les outils présentant des défauts dus à des défauts de matériaux ou de fabrication pendant un (1) an ou cinq (5) ans à compter de la date d'achat, selon le cas. Cette garantie ne couvre pas les pièces défectueuses dues à une utilisation abusive, une mauvaise utilisation ou des dommages causés par des réparations ou des modifications effectuées par des techniciens de réparation non agréés par REED. Cette garantie s'applique uniquement aux outils REED et non aux accessoires. Cette garantie s'applique exclusivement à l'acheteur initial.

Garantie d'un (1) an : Les unités de puissance pour outils pneumatiques, électriques, hydrauliques et à piles bénéficient d'une garantie d'un an. Cela inclut, sans toutefois s'y limiter, les pompes REED, les moteurs de coupe-tubes universels, les entraînements électriques, les outils de chanfreinage électriques, les machines à fileter, les batteries sans fil et les chargeurs.

Garantie de cinq (5) ans : Tout outil REED non spécifié dans la garantie d'un (1) an ci-dessus est garanti dans la garantie de cinq (5) ans de REED.

AUCUNE PARTIE N'EST AUTORISÉE À ÉTENDRE TOUTE AUTRE GARANTIE. AUCUNE GARANTIE DE QUALITÉ MARCHANDE OU D'ADÉQUATION À UN USAGE PARTICULIER NE S'APPLIQUE.

Aucune réclamation de garantie ne sera acceptée par notre usine de REED sans que son port ait été payé par son expéditeur. Toutes réclamations sous garantie se limitent à la réparation ou le remplacement de l'outil, selon la discrétion de REED et sans frais pour le client. La Société REED n'engage aucune responsabilité, directe ou conditionnelle. La présente garantie confère au propriétaire certains droits auxquels peuvent s'en ajouter d'autres selon l'État ou la province de résidence.

Garantie en vigueur à compter du 1er décembre 2018



PIPE TOOLS & VISES
SINCE 1896

VIDEO TRAINING

VIDÉO FORMATION



videos.reedmfgco.com/feedtap



PIPE TOOLS & VISES
SINCE 1896

1425 West 8th Street Erie, PA 16502 USA Phone: 800-666-3691 or +1 814-452-3691 Fax: +1 814-455-1697 reedsales@reedmfgco.com

www.reedmfgco.com