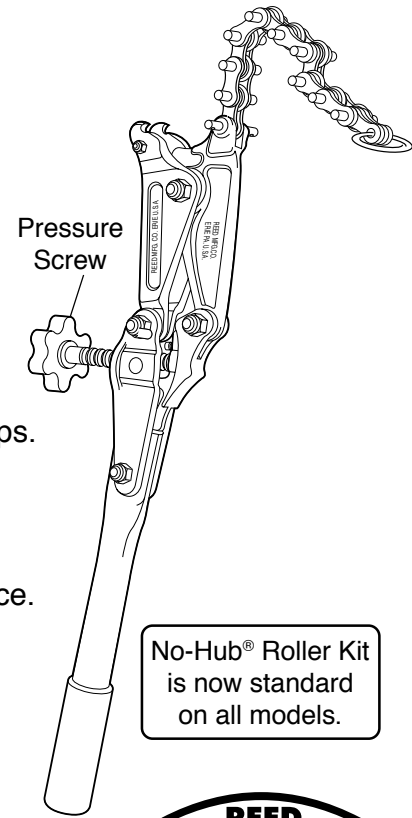




SC49 Soil Pipe Cutter Operating Instructions

Warning: The high pressure exerted by cutter can cause cut piece to fly with great force.

1. Place cutter on ground with pressure screw facing up and fully extend the chain.
2. Fully open chain jaws by turning the pressure screw counter-clockwise until it stops.
3. Wrap chain around pipe and connect the closest link to the upper jaw. Check to ensure that the excess chain comes out the top of the hooks and into the clear.
4. Close the jaws by turning hand knob clockwise. Make sure the screw tip is in place.
5. Apply enough pressure with ratchet (15" ratchet recommended) to mark pipe. Rotate pipe slightly and mark again until you have a series of marks to form a line around the pipe. (If you are cutting pipe that is held solid, it will be easier to apply pressure and rotate the cutter back and forth to form a line.)
6. Increase pressure with ratchet until cut is complete.



No-Hub® Roller Kit is now standard on all models.



0520-50347

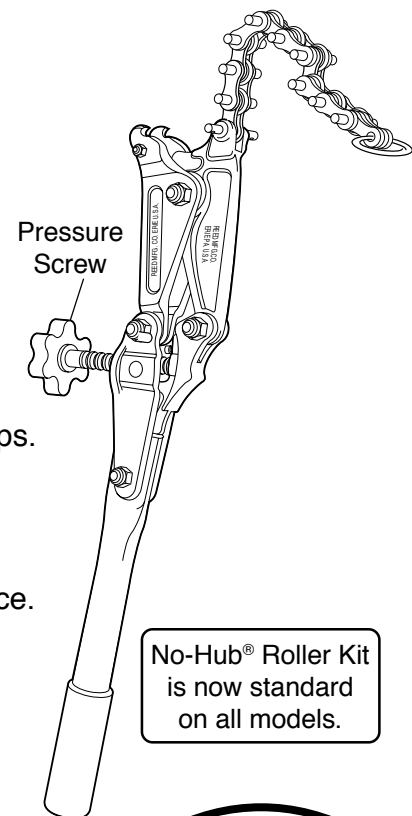
REED MANUFACTURING COMPANY
1425 WEST 8TH ST. ERIE, PA 16512-1321 800-666-3691 OR 814-452-3691



SC49 Soil Pipe Cutter Operating Instructions

Warning: The high pressure exerted by cutter can cause cut piece to fly with great force.

1. Place cutter on ground with pressure screw facing up and fully extend the chain.
2. Fully open chain jaws by turning the pressure screw counter-clockwise until it stops.
3. Wrap chain around pipe and connect the closest link to the upper jaw. Check to ensure that the excess chain comes out the top of the hooks and into the clear.
4. Close the jaws by turning hand knob clockwise. Make sure the screw tip is in place.
5. Apply enough pressure with ratchet (15" ratchet recommended) to mark pipe. Rotate pipe slightly and mark again until you have a series of marks to form a line around the pipe. (If you are cutting pipe that is held solid, it will be easier to apply pressure and rotate the cutter back and forth to form a line.)
6. Increase pressure with ratchet until cut is complete.



No-Hub® Roller Kit is now standard on all models.



0520-50347

REED MANUFACTURING COMPANY
1425 WEST 8TH ST. ERIE, PA 16512-1321 800-666-3691 OR 814-452-3691

SC49 Soil Pipe Cutters

RATCHET STYLE

Catalog No.	Item Code	Pipe Capacity		Length		Weight	
		Inches Nom.	Actual Ø mm	in	mm	lbs	kg
SC49-6*	08049	1 1/2 -6	160	26	660	17.6	8.0
SC49-8*	08050	1 1/2 -8	212	26	660	19.4	8.8
SC49-10*	08051	1 1/2 -10	268	26	660	21.2	9.6
SC49-12*	08052	1 1/2 -12	317	26	660	23.0	10.5
SC49-15*	08053	1 1/2 -15	403	26	660	24.8	11.3

* Ratchet Wrench (#40208) included with SC49 cutters

Maximum Pipe Capacities

(determined by maximum pressure applied):

- Extra heavy cast iron soil pipe..... 2-4" (62-125mm)
- Service weight cast iron soil pipe..... 2-8" (62-212mm)
- Concrete pipe..... 4-6" (125-160mm)
- No-Hub® cast iron soil pipe..... 1 1/2-8" (38-212mm)
- Clay pipe..... 2-15" (62-403mm)

Extension chains available to increase capacity of smaller cutters.

ACCESSORIES

Catalog No.	Item Code	Description
SCEXT	40336	10" Extension Chain with 8 pitches at 1.25" per pitch
TW516	02298	5/16" Torque Wrench
TW38	02300	3/8" Torque Wrench
SCFR	40208	Ratchet Wrench 1/2"

Reed also offers the SC59 series as "Single Stroke" Soil Pipe Cutters.

0520-50347

SC49 Soil Pipe Cutters

RATCHET STYLE

Catalog No.	Item Code	Pipe Capacity		Length		Weight	
		Inches Nom.	Actual Ø mm	in	mm	lbs	kg
SC49-6*	08049	1 1/2 -6	160	26	660	17.6	8.0
SC49-8*	08050	1 1/2 -8	212	26	660	19.4	8.8
SC49-10*	08051	1 1/2 -10	268	26	660	21.2	9.6
SC49-12*	08052	1 1/2 -12	317	26	660	23.0	10.5
SC49-15*	08053	1 1/2 -15	403	26	660	24.8	11.3

* Ratchet Wrench (#40208) included with SC49 cutters

Maximum Pipe Capacities

(determined by maximum pressure applied):

- Extra heavy cast iron soil pipe..... 2-4" (62-125mm)
- Service weight cast iron soil pipe..... 2-8" (62-212mm)
- Concrete pipe..... 4-6" (125-160mm)
- No-Hub® cast iron soil pipe..... 1 1/2-8" (38-212mm)
- Clay pipe..... 2-15" (62-403mm)

Extension chains available to increase capacity of smaller cutters.

ACCESSORIES

Catalog No.	Item Code	Description
SCEXT	40336	10" Extension Chain with 8 pitches at 1.25" per pitch
TW516	02298	5/16" Torque Wrench
TW38	02300	3/8" Torque Wrench
SCFR	40208	Ratchet Wrench 1/2"

Reed also offers the SC59 series as "Single Stroke" Soil Pipe Cutters.

0520-50347