



PIPE TOOLS & VISES  
SINCE 1896

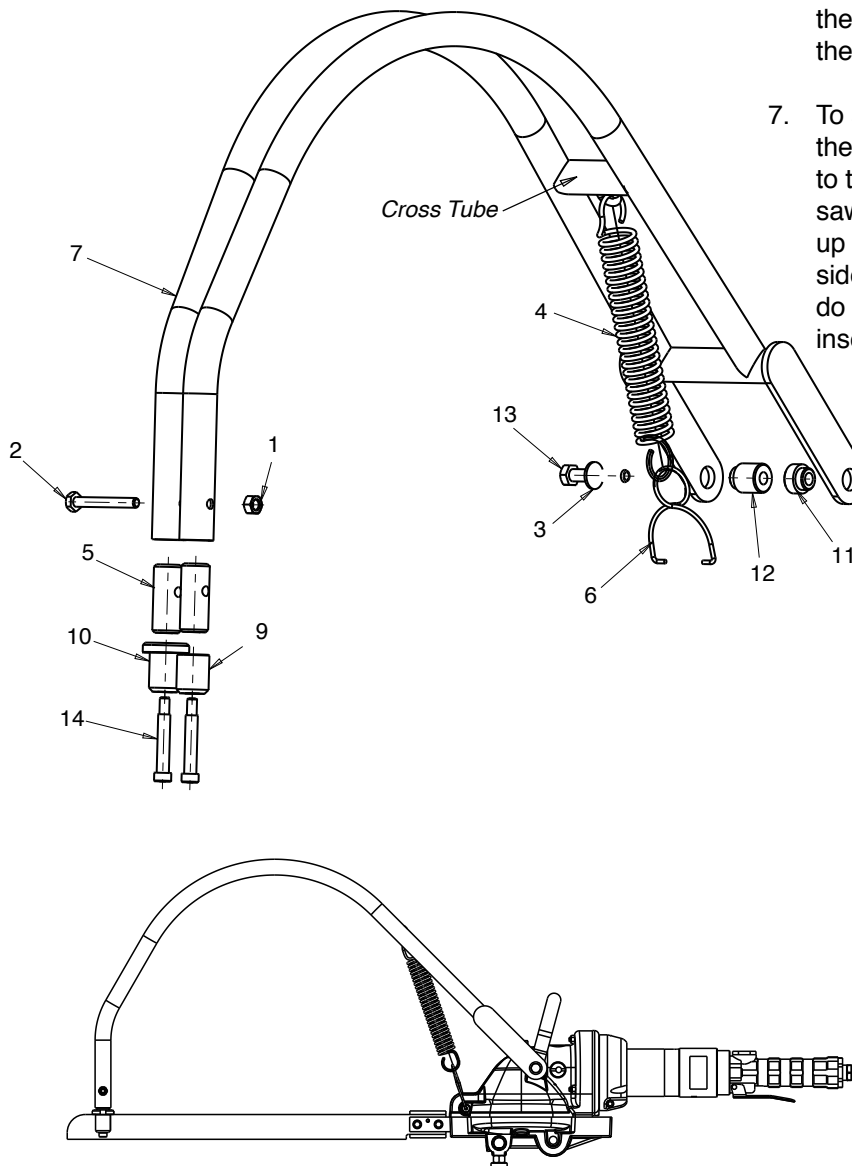
# Installation Instructions for Blade Guide (04602, 04603) to Saw It® Pneumatic Saw

For video instructions, visit <http://videos.reedmfgco.com/sawit>

## Saw Guide Installation

1. Install the bow spring into each end of guide shaft.
2. Remove the two bolts and lock washers from the saw handle. There is a set on both sides. Retain these bolts if you plan to remove the saw guide in the future. (See Figure 1.)
3. The side of the rail where the saw blade is mounted will determine which side the insert spacers are placed. (Item 11 & 12.)

In the diagram the blade is shown mounted to the right side of the rail.



4. Stand the saw guide up on a flat surface. Place the longer insert part (Item 12) on the same side that the blade is mounted. Insert into the saw guide Item 7. Insert Item 11 into the opposite side of the saw guide.
5. Place the handle between the two spacers and insert the 8mm X 45mm bolt and washer (Items 3 & 13) into the side with the long insert and place the 8mm X 40mm bolt and washer (Items 3 & 8) into the opposite side of the saw guide.
6. Place the guide onto the saw by first resting the guide rollers (Items 9 & 10) on top of the saw blade. Next partially back the bolts out far enough to slip the handle assembly over the saw housing. Line up the bolt with the handle holes in the saw housing and then tighten the bolts.
7. To attach the extension spring, lift the saw guide off of the blade and let it swing down. Attach extension spring to the loop on the underside of the cross tube of the saw guide and the bow spring. Pivot the saw guide up and place the side rollers over the saw blade. The side rollers should line up with the saw blade. If they do not, remove the saw guide and reverse the spacer inserts and reassemble.

## Replacement Parts

**04602 21" Blade Guide**  
**04603 30" Blade Guide**

## Parts List

Ref. No.	Description	Item Code	Qty
1	NUT-STEEL COURSE PITCH 1/4-20 UNC	30123	1
2	HEX BOLT - 1/4-20 X 2"	30109	1
3	FLAT WASHER 5/16	30180	2
4	EXTENSION SPRING	30304	1
5	ROLLER MOUNT	94607	2
6	BOW SPRING	94612	1
7a	SAW GUIDE 21"	94605	1
7b	SAW GUIDE 30"	94613	1
8	HEX BOLT - M8X1.25, 40mm	30249	1
9	SIDE ROLLER	94608	1
10	SIDE ROLLER	94609	1
11	LEFT INSERT	94610	1
12	RIGHT INSERT	94611	1
13	HEX BOLT - M8X1.25, 45mm	30255	1
14	SHOULDER BOLT 5/16 DIA X 2 LG	34287	2

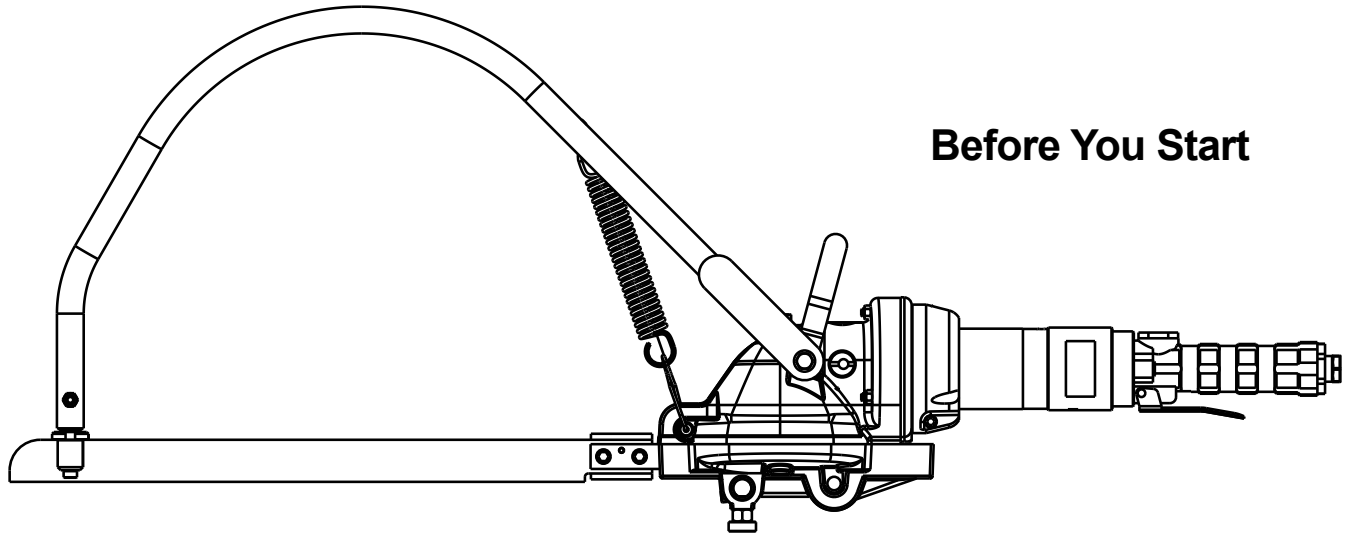
REED MANUFACTURING COMPANY

1425 WEST EIGHTH ST. ERIE, PA 16502 USA PHONE: 800-666-3691 OR 814-452-3691 FAX: 800-456-1697 OR 814-455-1697

[www.reedmfgco.com](http://www.reedmfgco.com)



PIPE TOOLS & VISES  
SINCE 1896



## Before You Start

**Saw It® pneumatic saws sold prior to the March 2011** introduction of the saw blade guide do not have means to mount the bow spring to the saw. Replacement of the front guide shaft is required. (See Figure 1.) Units sold after March 2011 are prepped. Refer to Saw Guide Installation.

- If the existing shaft does not have a 1/8" diameter hole on each end, then shaft replacement is required. Read instructions and if not comfortable with this procedure, please take the saw to a local dealer for shaft replacement.

- If the existing shaft has a 1/8" diameter hole on each end, no replacement is required. Proceed to Saw Guide Installation.

**WARNING:** Failure to follow these instructions may require the return of the saw to the manufacturer for disassembly and repair.

All saw guide assemblies come with a replacement guide shaft and 7/16 diameter retaining rings. A pair of external retaining ring pliers is required for this procedure. The new shaft comes with a retaining ring mounted to one end.

1. Remove the retaining ring from one side of the old shaft that is mounted in the saw. **Do not remove the shaft from the saw.** Removing the shaft will cause the loss of location of an internal roller guide and will require the disassembly of the saw housing.

2. Take the new shaft with the retaining ring on the opposite end and place it against the old shaft in the saw. Push the old shaft out of the saw using the new shaft. Make sure to keep contact with the old shaft until the old shaft is completely pushed out of the far end.
3. Place the retaining ring on the new shaft.

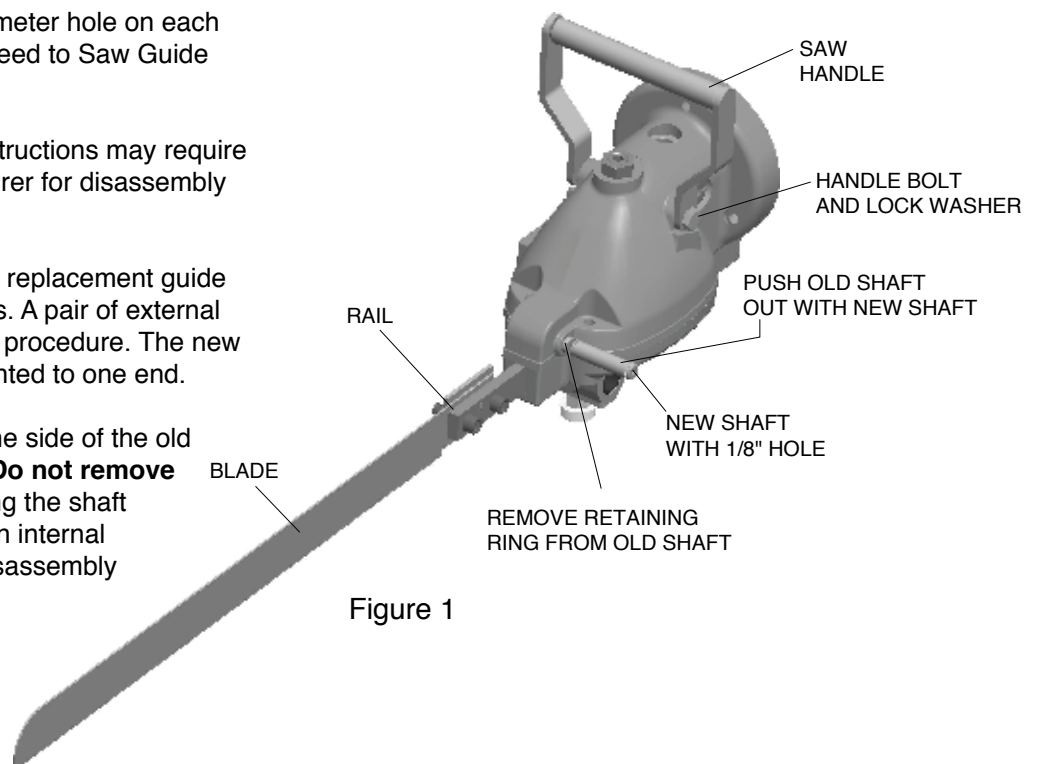


Figure 1

REED MANUFACTURING COMPANY

1425 WEST EIGHTH ST. ERIE, PA 16502 USA PHONE: 800-666-3691 OR 814-452-3691 FAX: 800-456-1697 OR 814-455-1697

www.reedmfgco.com